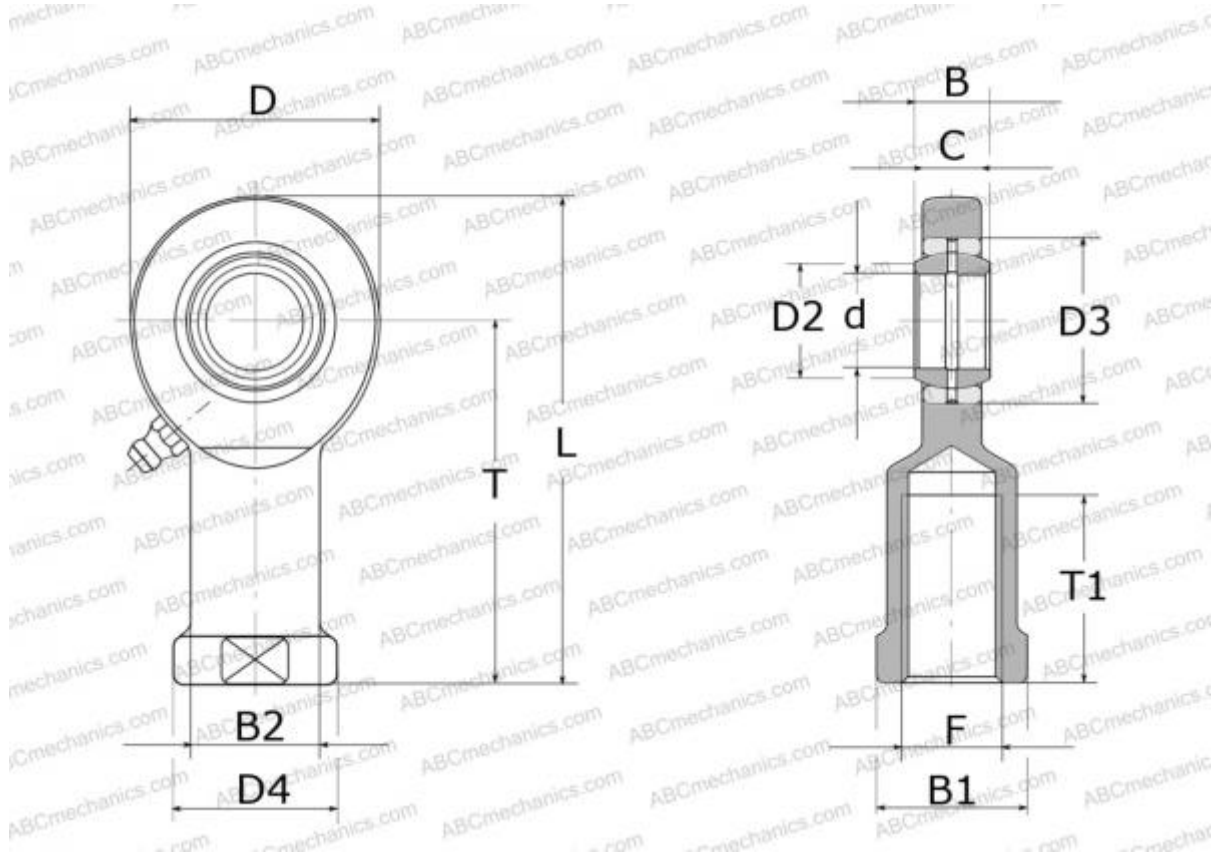


SI 15 ES SKF

Rod ends

TYPE: Plain bearings, Spherical plain bearings and rod ends, Rod ends, Requiring maintenance, With internal thread, open design, right hand thread, series SI..E(S) (SKF)



Technical specification

DIMENSIONS, MM

d	15,000
D	41,000
D4	22,000
B	12,000
B1	19,000
L	83,000
T	61,000
T1	21,000
C	10,500
F	M14

WEIGHT, KG 0,180

MANUFACTURER [SKF](http://www.skf.com)

CALCULATION DATA

Basic dynamic load rating, C	17,000 kN
Basic static load rating, Co	37,500 kN