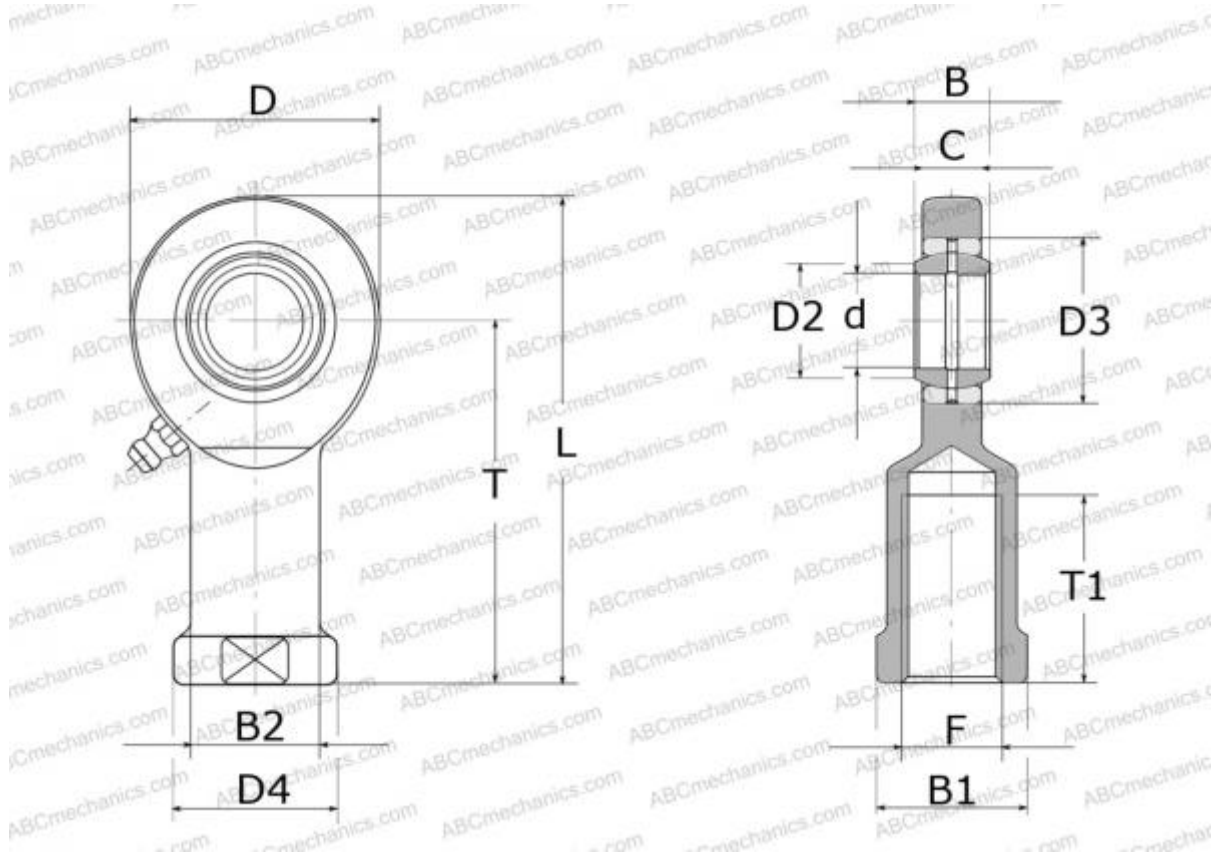


## SI 17 ES SKF

Rod ends

TYPE: Plain bearings, Spherical plain bearings and rod ends, Rod ends, Requiring maintenance, With internal thread, open design, right hand thread, series SI..E(S) (SKF)



### Technical specification

#### DIMENSIONS, MM

d	17,000
D	47,000
D4	25,000
B	14,000
B1	22,000
L	92,000
T	67,000
T1	24,000
C	11,500
F	M16

#### MANUFACTURER

[SKF](#)

#### CALCULATION DATA

Basic dynamic load rating, C	21,200 kN
Basic static load rating, Co	44,000 kN