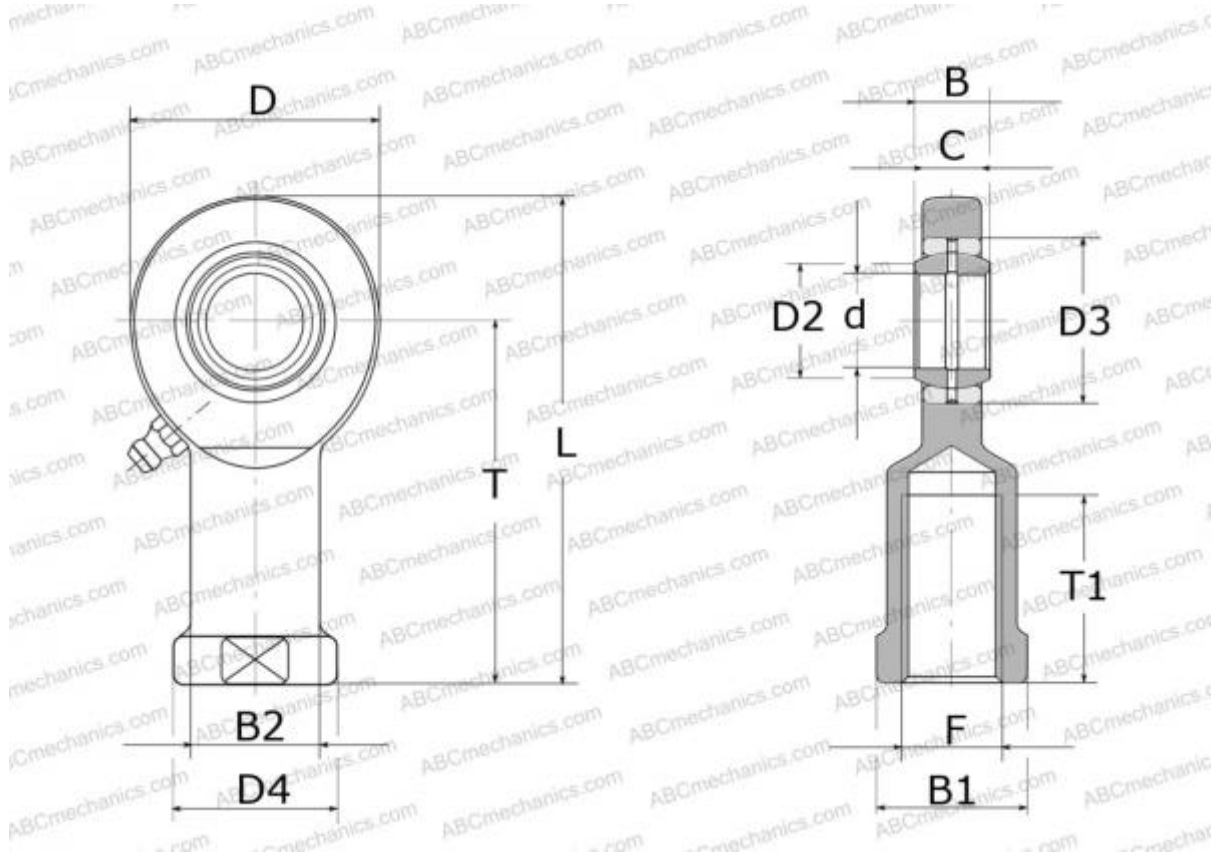


## SI 20 ES SKF

Rod ends

TYPE: Plain bearings, Spherical plain bearings and rod ends, Rod ends, Requiring maintenance, With internal thread, open design, right hand thread, series SI..E(S) (SKF)



### Technical specification

#### DIMENSIONS, MM

d	20,000
D	54,000
D4	28,000
B	16,000
B1	24,000
L	106,000
T	77,000
T1	30,000
C	13,500
F	M20x1.5

**WEIGHT, KG** 0,360

**MANUFACTURER** [SKF](http://www.skf.com)

#### CALCULATION DATA

Basic dynamic load rating, C	30,000 kN
Basic static load rating, Co	57,000 kN