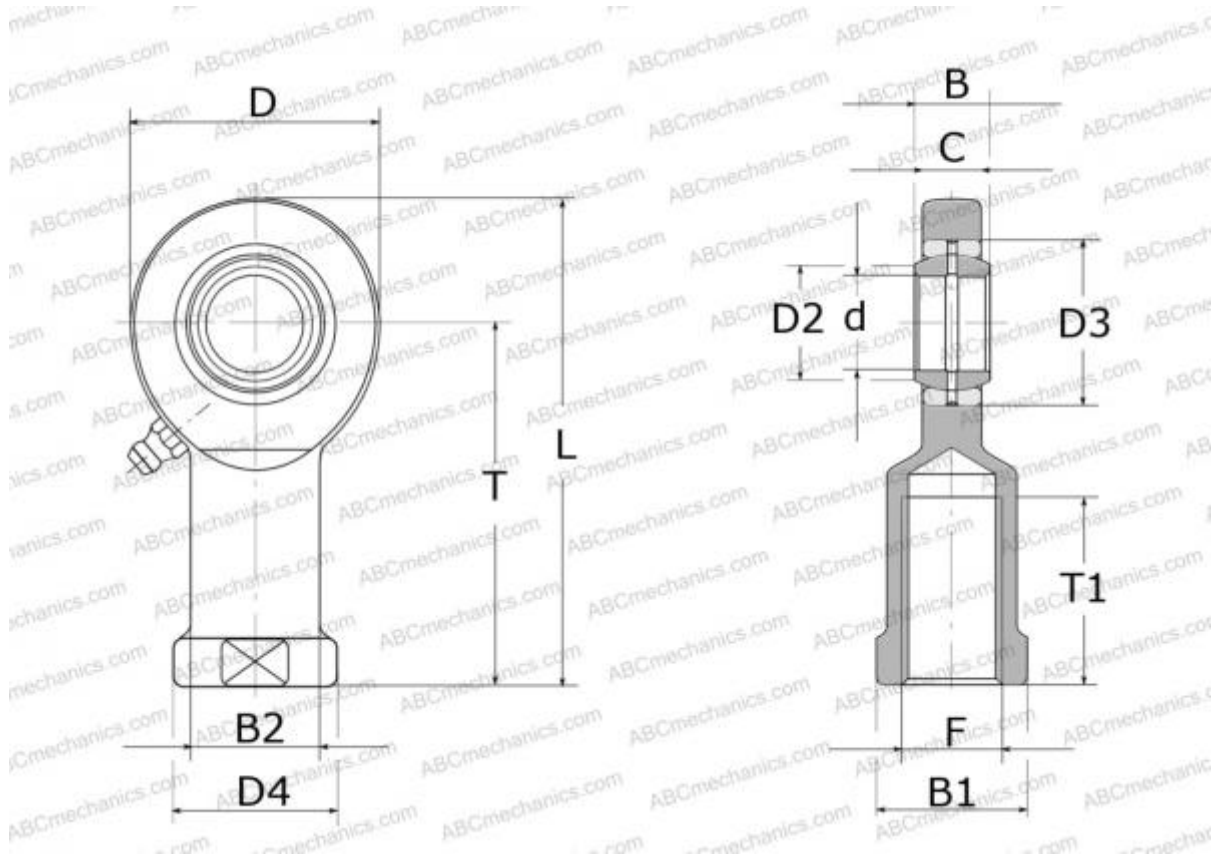


SIL 10 E SKF

Rod ends

TYPE: Plain bearings, Spherical plain bearings and rod ends, Rod ends, Requiring maintenance, With internal thread, open design, left hand thread, series SIL..E(S) (SKF)



Technical specification

DIMENSIONS, MM

d	10,000
D	30,000
D4	16,000
B	9,000
B1	14,000
L	60,000
T	43,000
T1	15,000
C	7,500
F	M10

WEIGHT, KG 0,065

MANUFACTURER [SKF](https://www.skf.com)

CALCULATION DATA

Basic dynamic load rating, C	8,150 kN
Basic static load rating, Co	19,000 kN