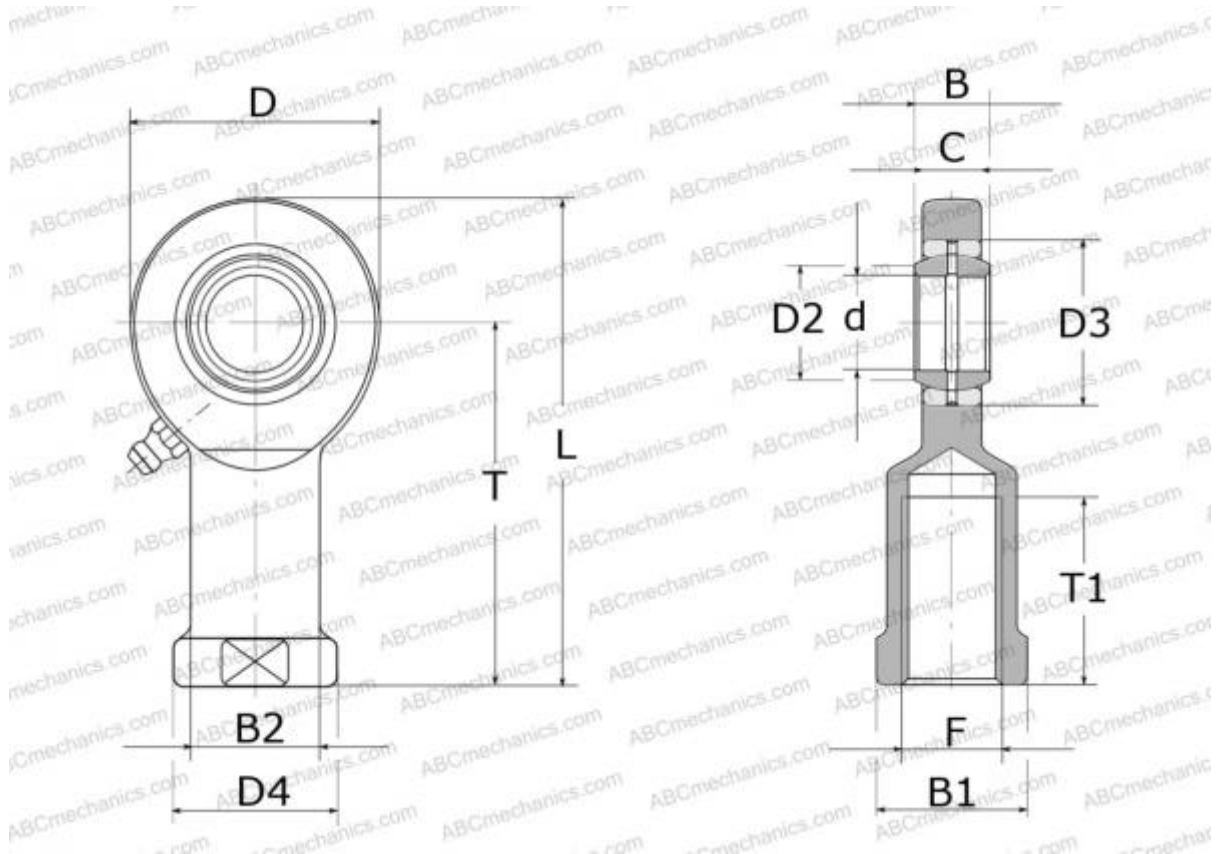


## SIL 12 E SKF

Rod ends

TYPE: Plain bearings, Spherical plain bearings and rod ends, Rod ends, Requiring maintenance, With internal thread, open design, left hand thread, series SIL..E(S) (SKF)



### Technical specification

#### DIMENSIONS, MM

d	12,000
D	35,000
D4	19,000
B	10,000
B1	17,000
L	69,000
T	50,000
T1	18,000
C	8,500
F	M12

**WEIGHT, KG** 0,110

**MANUFACTURER** [SKF](#)

#### CALCULATION DATA

Basic dynamic load rating, C	10,800 kN
Basic static load rating, Co	25,500 kN