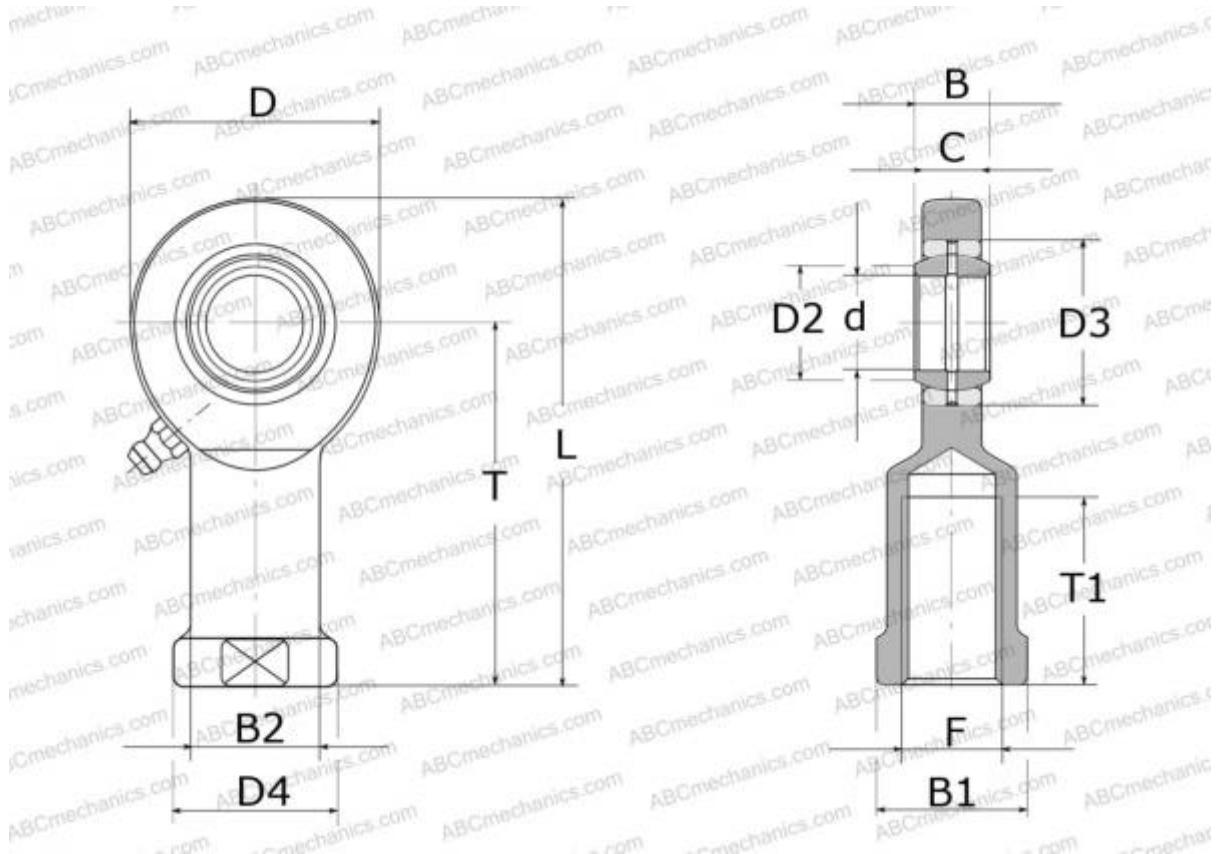


SIL 17 ES SKF

Rod ends

TYPE: Plain bearings, Spherical plain bearings and rod ends, Rod ends, Requiring maintenance, With internal thread, open design, left hand thread, series SIL..E(S) (SKF)



Technical specification

DIMENSIONS, MM

d	17,000
D	47,000
D4	25,000
B	14,000
B1	22,000
L	92,000
T	67,000
T1	24,000
C	11,500
F	M16

WEIGHT, KG 0,250

MANUFACTURER [SKF](#)

CALCULATION DATA

Basic dynamic load rating, C	21,200 kN
Basic static load rating, Co	44,000 kN