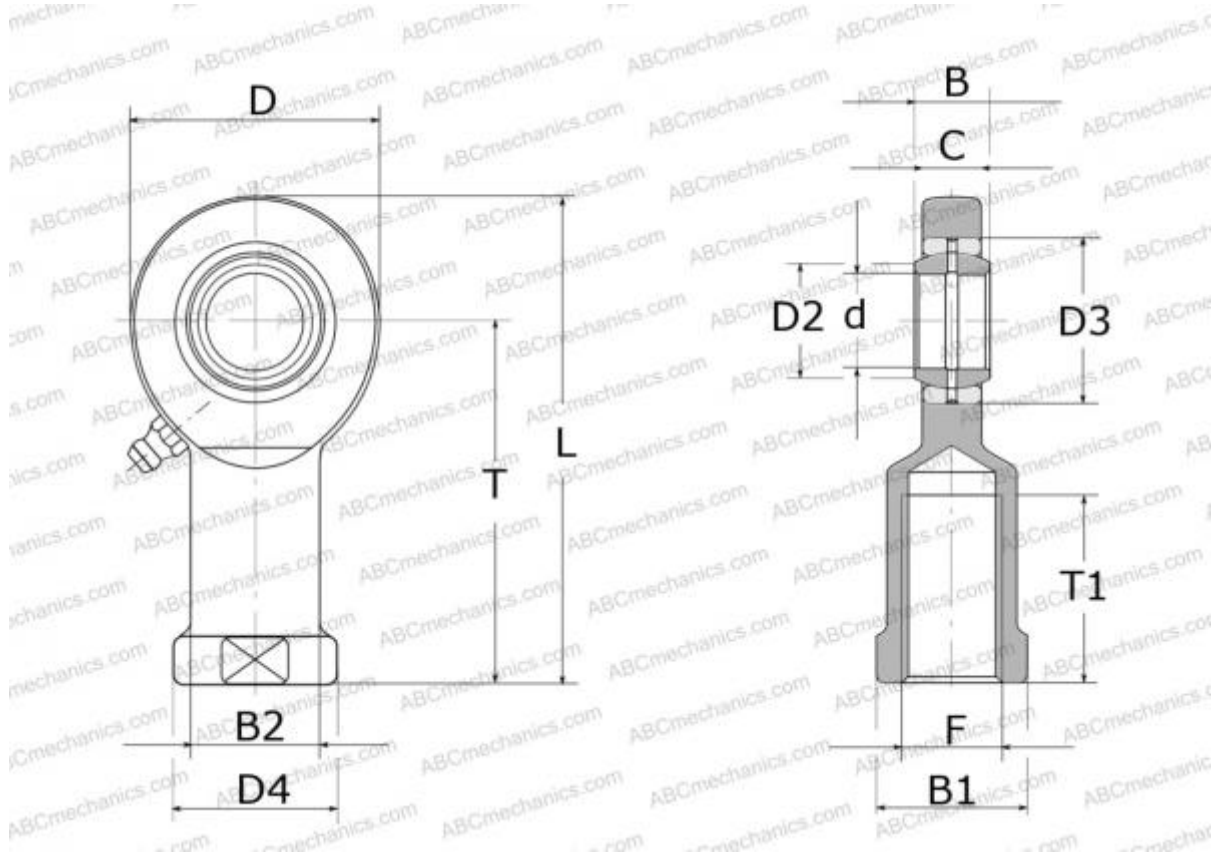


## SIL 20 ES SKF

Rod ends

TYPE: Plain bearings, Spherical plain bearings and rod ends, Rod ends, Requiring maintenance, With internal thread, open design, left hand thread, series SIL..E(S) (SKF)



### Technical specification

#### DIMENSIONS, MM

|    |         |
|----|---------|
| d  | 20,000  |
| D  | 54,000  |
| D4 | 28,000  |
| B  | 16,000  |
| B1 | 24,000  |
| L  | 106,000 |
| T  | 77,000  |
| T1 | 30,000  |
| C  | 13,500  |
| F  | M20x1.5 |

#### MANUFACTURER

[SKF](#)

#### CALCULATION DATA

|                              |           |
|------------------------------|-----------|
| Basic dynamic load rating, C | 30,000 kN |
| Basic static load rating, Co | 57,000 kN |