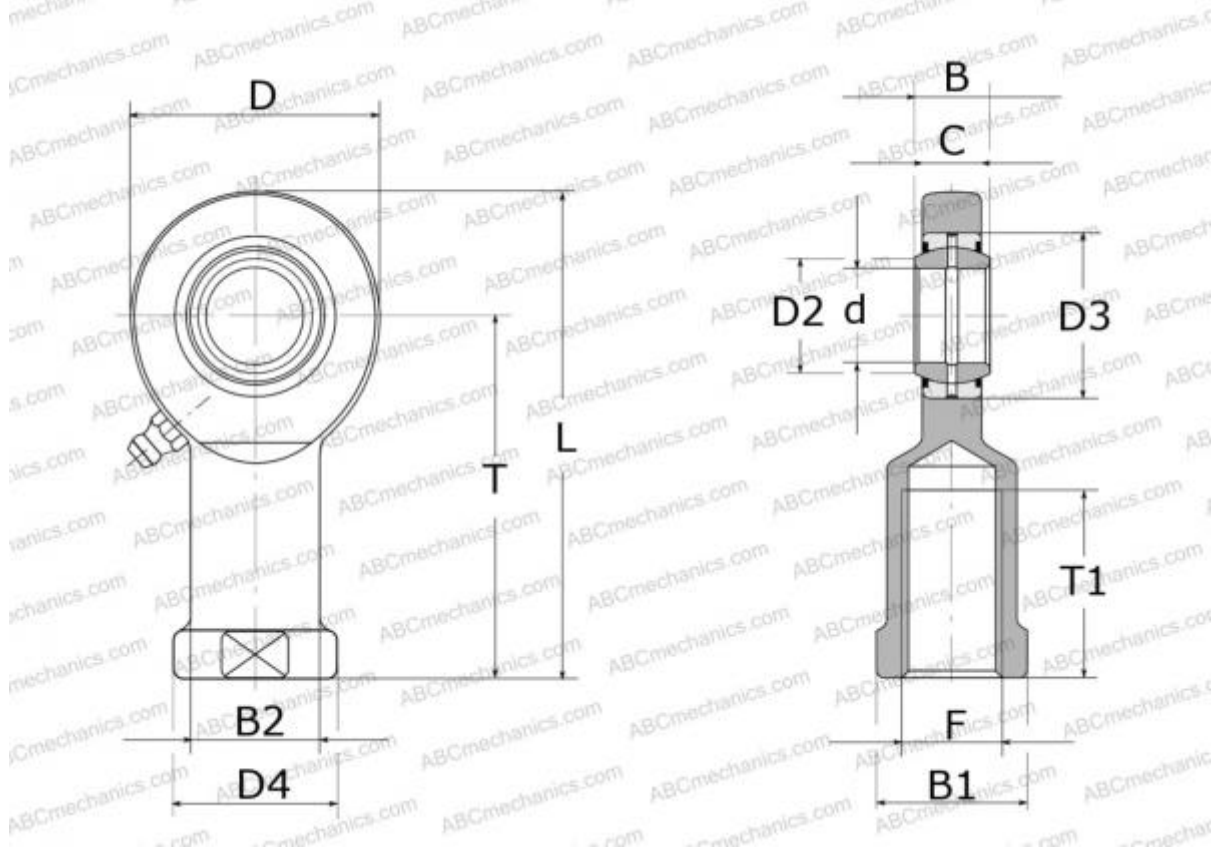


## SILA 40 ES-2RS SKF

Rod ends

TYPE: Plain bearings, Spherical plain bearings and rod ends, Rod ends, Requiring maintenance, With internal thread, with lip seals or high performance seals, left hand thread, series SIL(A)..ES-2RS (SKF)



### Technical specification

#### DIMENSIONS, MM

|    |         |
|----|---------|
| d  | 40,000  |
| D  | 94,000  |
| D4 | 58,000  |
| B  | 28,000  |
| B1 | 50,000  |
| L  | 191,000 |
| T  | 142,000 |
| T1 | 65,000  |
| C  | 24,000  |
| F  | M39x3   |

**WEIGHT, KG** 2,200

**MANUFACTURER** [SKF](#)

#### CALCULATION DATA

|                              |            |
|------------------------------|------------|
| Basic dynamic load rating, C | 100,000 kN |
| Basic static load rating, Co | 166,000 kN |