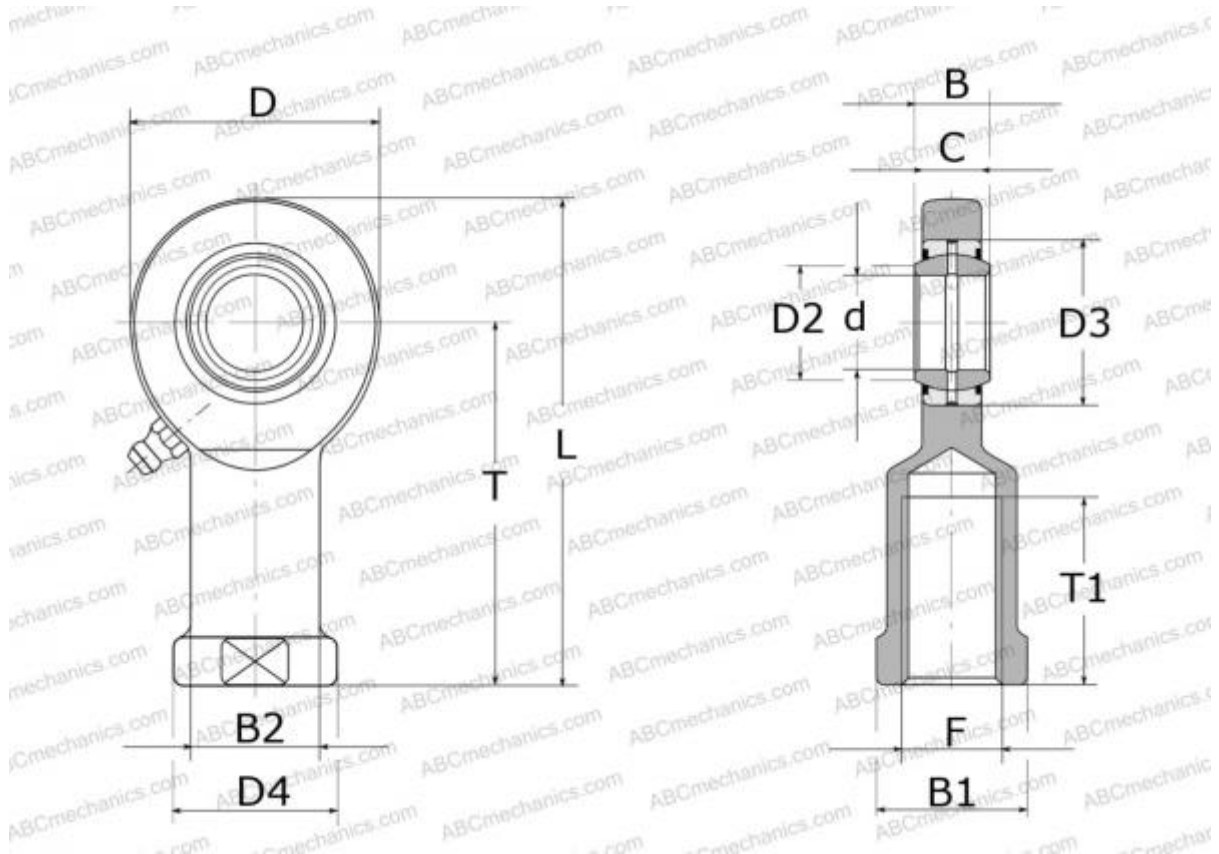


## SILA 45 ES-2RS SKF

Rod ends

TYPE: Plain bearings, Spherical plain bearings and rod ends, Rod ends, Requiring maintenance, With internal thread, with lip seals or high performance seals, left hand thread, series SIL(A)..ES-2RS (SKF)



### Technical specification

#### DIMENSIONS, MM

d	45,000
D	104,000
D4	65,000
B	32,000
B1	55,000
L	199,000
T	145,000
T1	65,000
C	28,000
F	M42x3

**WEIGHT, KG** 2,900

**MANUFACTURER** [SKF](https://www.skf.com)

#### CALCULATION DATA

Basic dynamic load rating, C	127,000 kN
Basic static load rating, Co	224,000 kN