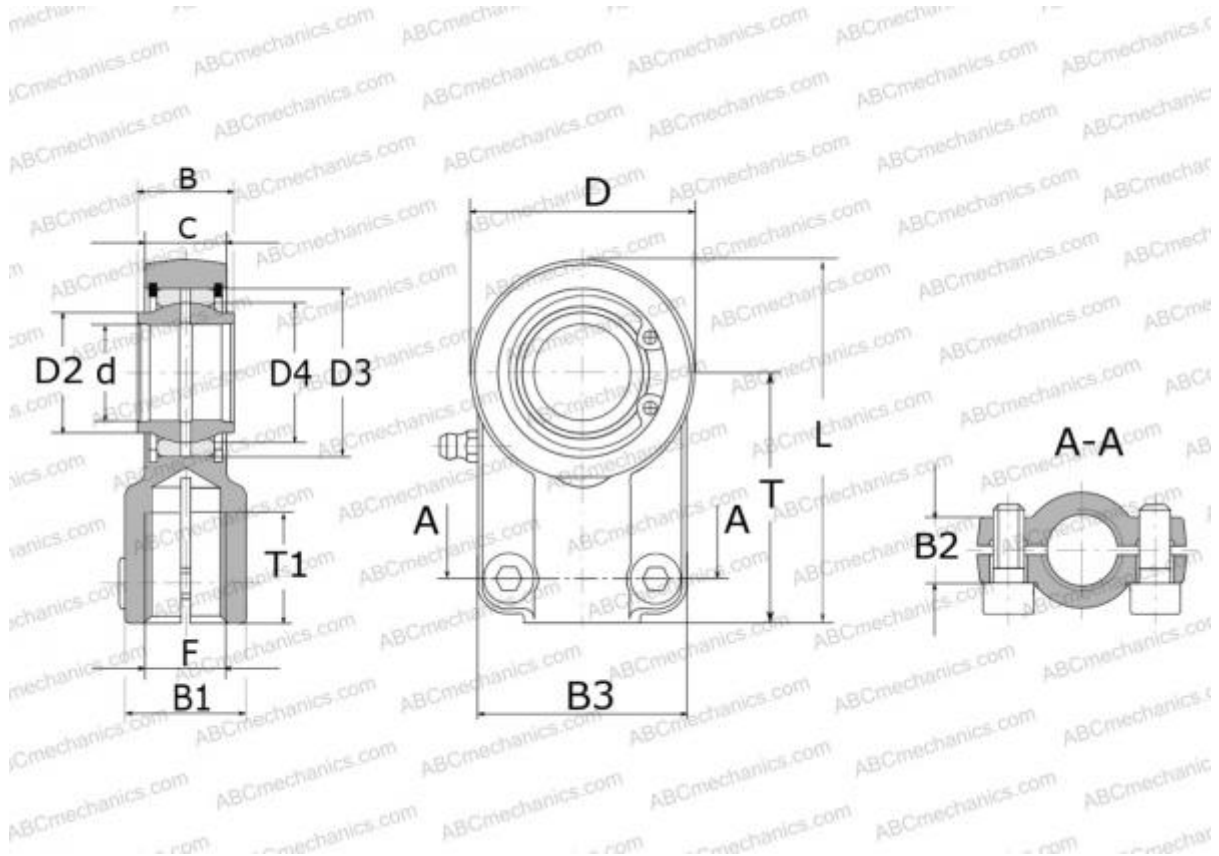


SIJ 12 E SKF

Rod ends

TYPE: Plain bearings, Spherical plain bearings and rod ends, Rod ends, Hydraulic, Requiring maintenance, with thread clamping device, open design, right hand thread, series SIJ..ES, SIQG..ES (SKF)



Technical specification

DIMENSIONS, MM

d	12,000
D	36,000
D4	18,000
B	10,000
B1	17,000
B2	13,000
B3	40,000
L	62,000
T	42,000
T1	15,000
C	8,000
F	M10x1.25

CALCULATION DATA

Basic dynamic load rating, C	10,800 kN
Basic static load rating, Co	21,200 kN

MANUFACTURER

[SKF](#)