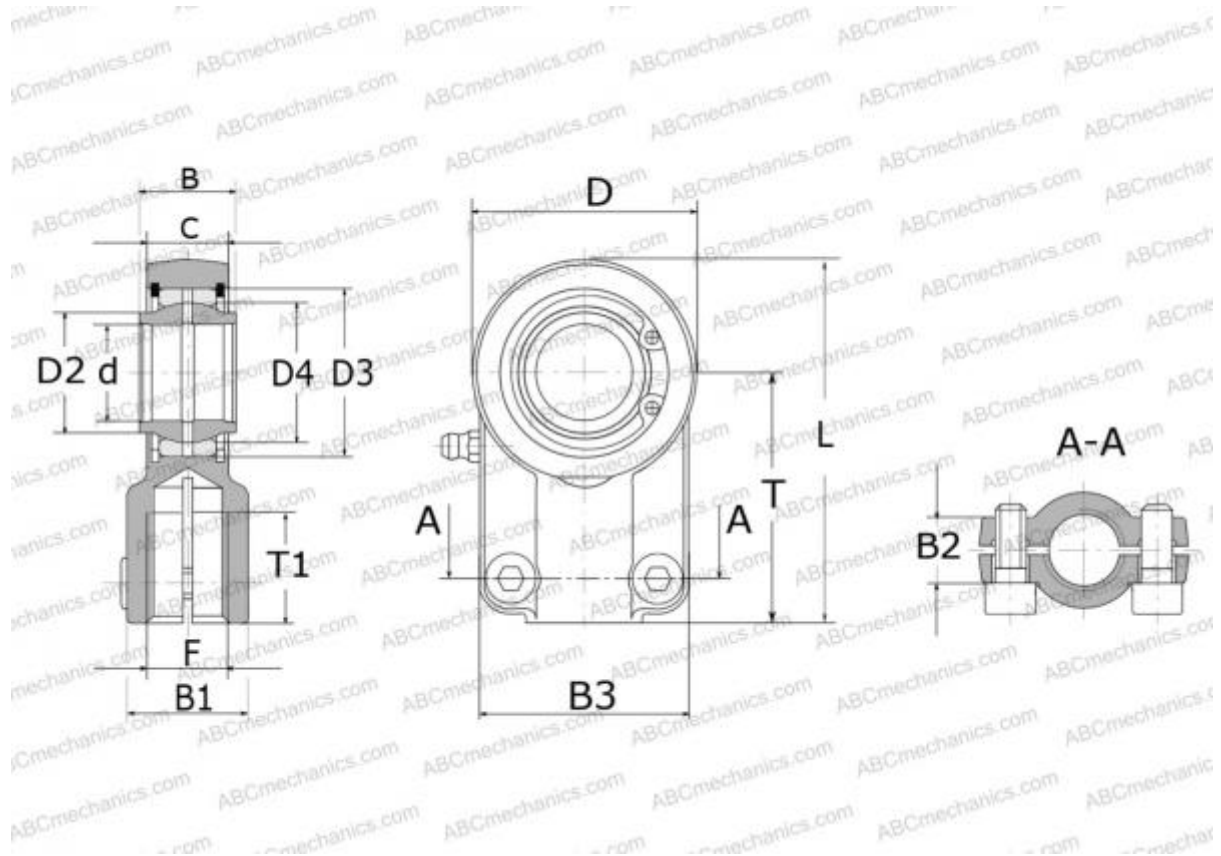


SIQG 12 ES SKF

Rod ends

TYPE: Plain bearings, Spherical plain bearings and rod ends, Rod ends, Hydraulic, Requiring maintenance, with thread clamping device, open design, right hand thread, series SIJ..ES, SIQG..ES (SKF)



Technical specification

DIMENSIONS, MM

d	12,000
D	33,000
D4	18,000
B	12,000
B1	17,000
B2	11,000
B3	33,000
L	55,000
T	38,000
T1	17,000
C	11,000
F	M12x1.25

CALCULATION DATA

Basic dynamic load rating, C	10,800 kN
Basic static load rating, Co	22,000 kN

MANUFACTURER

[SKF](#)