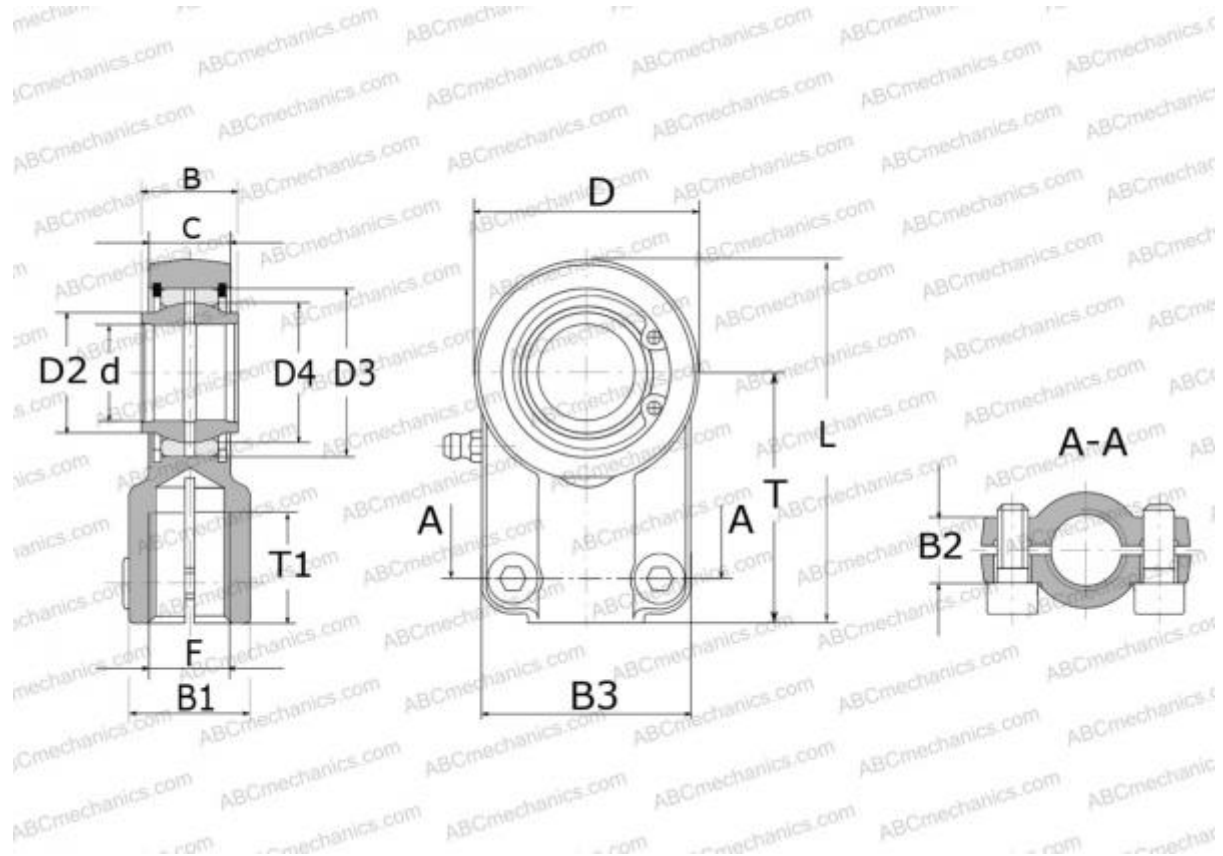


## SILJ 16 ES SKF

Rod ends

TYPE: Plain bearings, Spherical plain bearings and rod ends, Rod ends, Hydraulic, Requiring maintenance, with thread clamping device, open design, left hand thread, series SILJ..ES, SILQG..ES (SKF)



### Technical specification

#### DIMENSIONS, MM

d	16,000
D	45,000
D4	25,000
B	14,000
B1	21,000
B2	13,000
B3	45,000
L	70,500
T	48,000
T1	17,000
C	11,000
F	M12x1.25

#### CALCULATION DATA

Basic dynamic load rating, C	21,200 kN
Basic static load rating, Co	23,500 kN

MANUFACTURER

[SKF](http://www.skf.com)