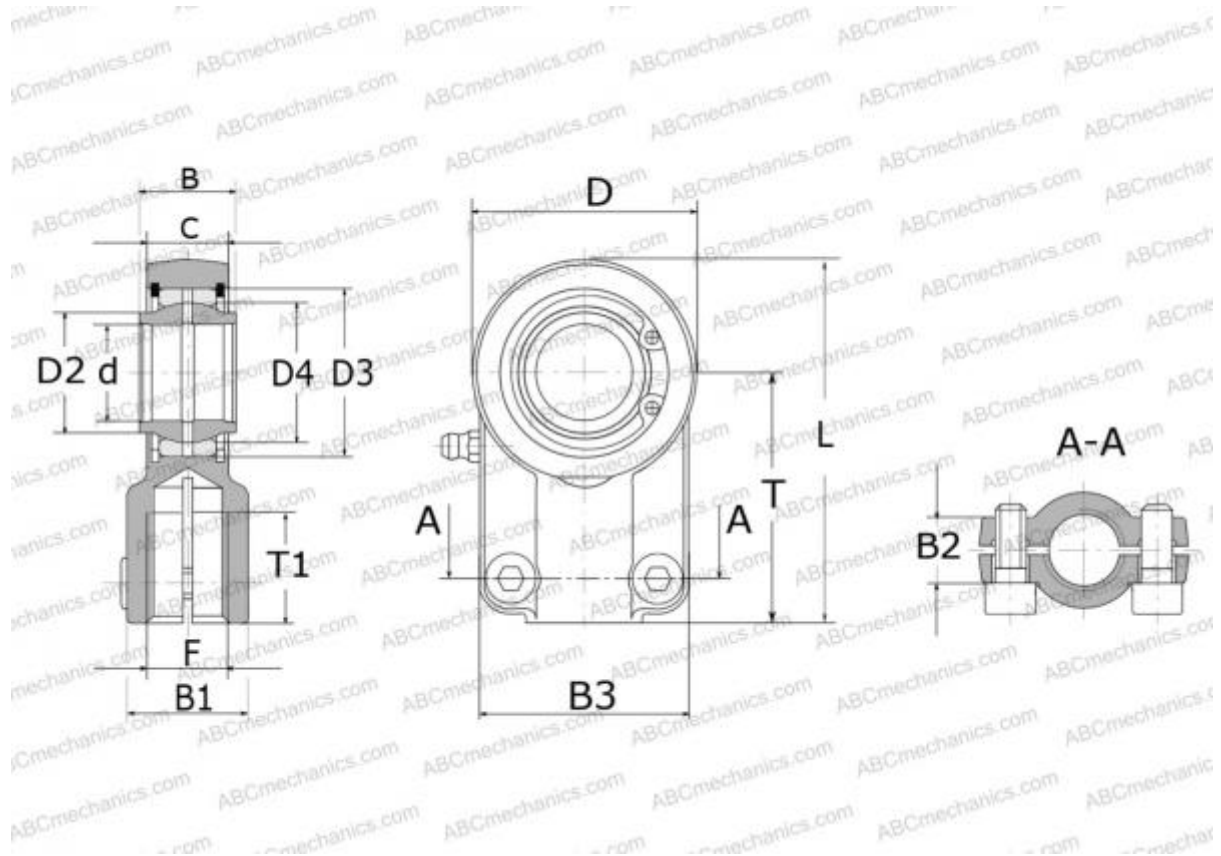


## SILQG 16 ES SKF

Rod ends

TYPE: Plain bearings, Spherical plain bearings and rod ends, Rod ends, Hydraulic, Requiring maintenance, with thread clamping device, open design, left hand thread, series SILJ..ES, SILQG..ES (SKF)



### Technical specification

#### DIMENSIONS, MM

d	16,000
D	41,000
D4	23,000
B	16,000
B1	22,000
B2	14,000
B3	41,000
L	64,500
T	44,000
T1	19,000
C	14,000
F	M14x1.5

#### CALCULATION DATA

Basic dynamic load rating, C	17,600 kN
Basic static load rating, Co	32,500 kN

MANUFACTURER

[SKF](#)