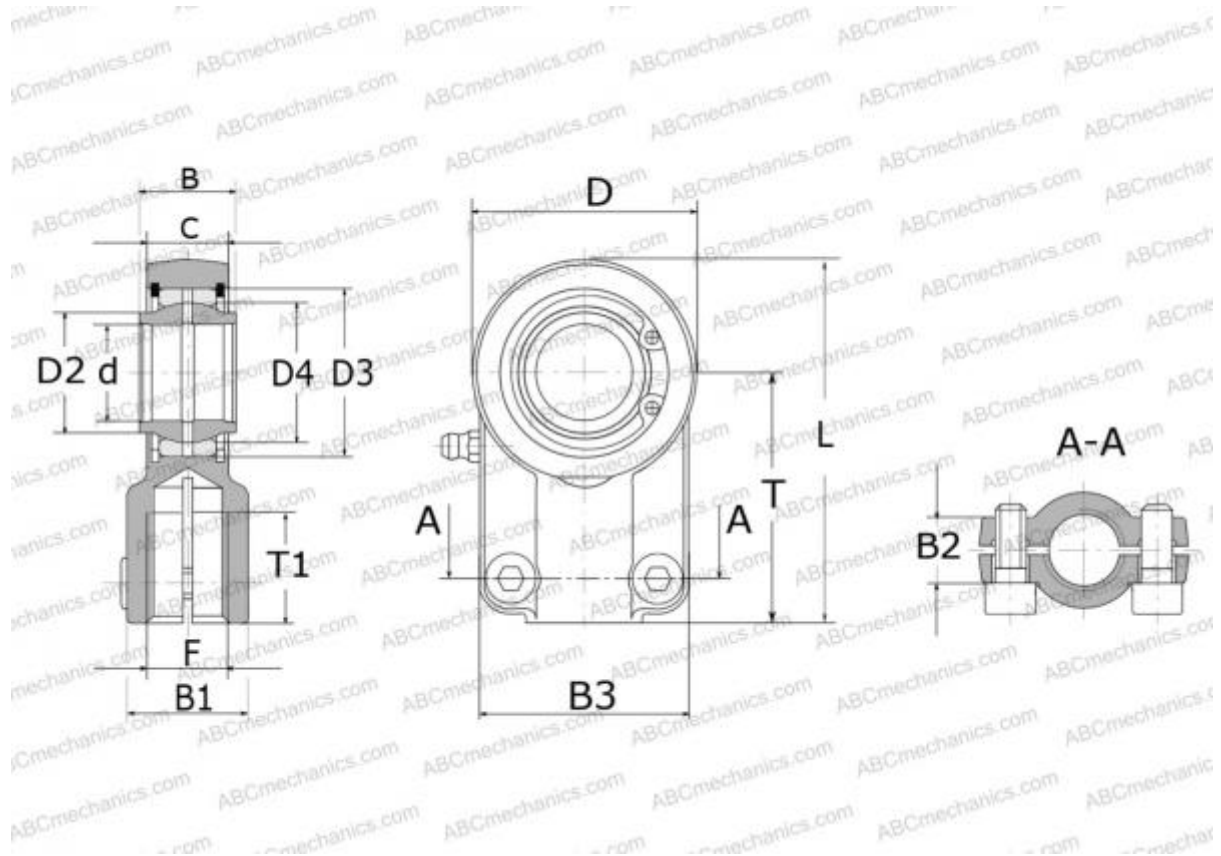


SILQG 25 ES SKF

Rod ends

TYPE: Plain bearings, Spherical plain bearings and rod ends, Rod ends, Hydraulic, Requiring maintenance, with thread clamping device, open design, left hand thread, series SILJ..ES, SILQG..ES (SKF)



Technical specification

DIMENSIONS, MM

d	25,000
D	59,000
D4	35,500
B	25,000
B1	31,000
B2	18,000
B3	55,000
L	97,000
T	65,000
T1	29,000
C	22,000
F	M20x1.5

CALCULATION DATA

Basic dynamic load rating, C	48,000 kN
Basic static load rating, Co	69,500 kN

MANUFACTURER

[SKF](#)