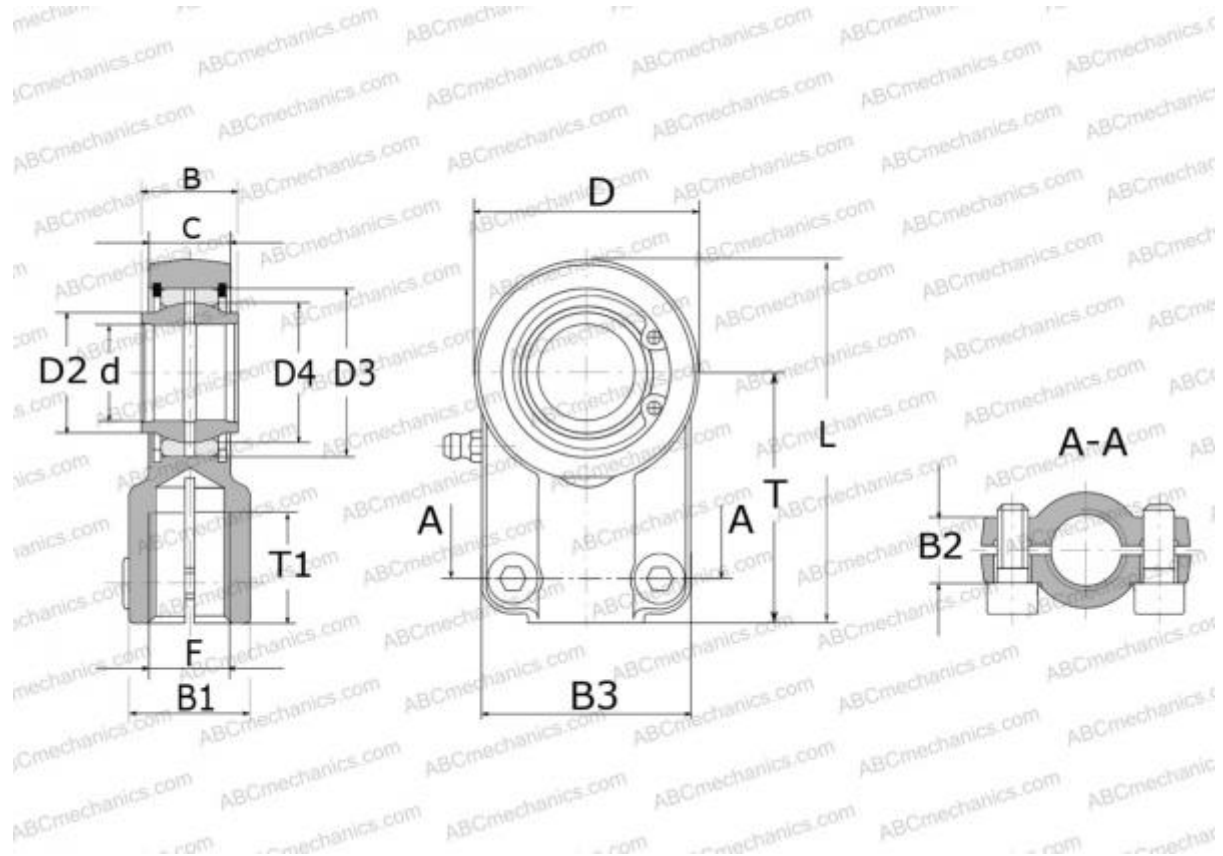


SILJ 30 ES SKF

Rod ends

TYPE: Plain bearings, Spherical plain bearings and rod ends, Rod ends, Hydraulic, Requiring maintenance, with thread clamping device, open design, left hand thread, series SILJ..ES, SILQG..ES (SKF)



Technical specification

DIMENSIONS, MM

d	30,000
D	80,000
D4	40,700
B	22,000
B1	36,000
B2	19,000
B3	80,000
L	125,000
T	85,000
T1	29,000
C	19,000
F	M20x1.5

CALCULATION DATA

Basic dynamic load rating, C	62,000 kN
Basic static load rating, Co	112,000 kN

MANUFACTURER

[SKF](#)