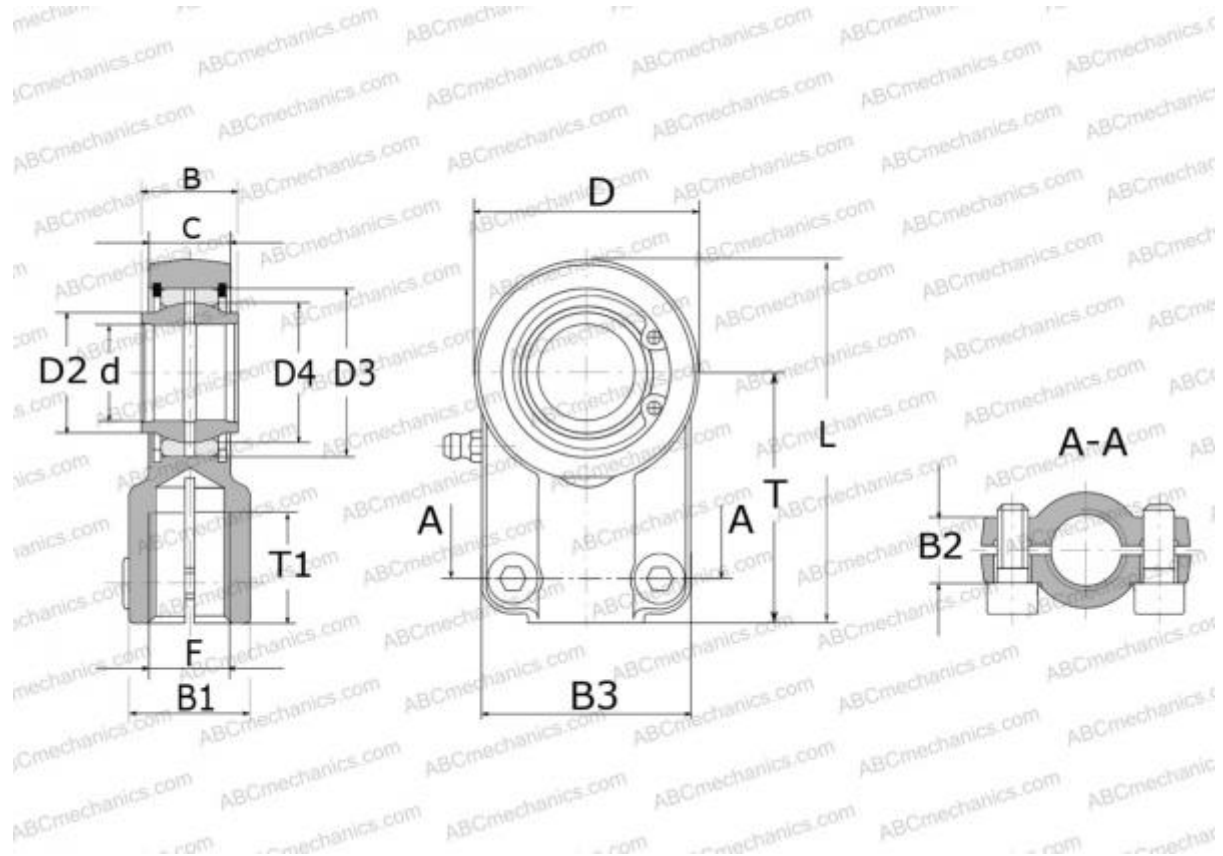


## SILQG 32 ES SKF

Rod ends

TYPE: Plain bearings, Spherical plain bearings and rod ends, Rod ends, Hydraulic, Requiring maintenance, with thread clamping device, open design, left hand thread, series SILJ..ES, SILQG..ES (SKF)



### Technical specification

#### DIMENSIONS, MM

d	32,000
D	71,000
D4	43,000
B	32,000
B1	38,000
B2	23,000
B3	67,000
L	116,500
T	80,000
T1	37,000
C	28,000
F	M27x2

#### CALCULATION DATA

Basic dynamic load rating, C	65,500 kN
Basic static load rating, Co	100,000 kN

MANUFACTURER

[SKF](#)