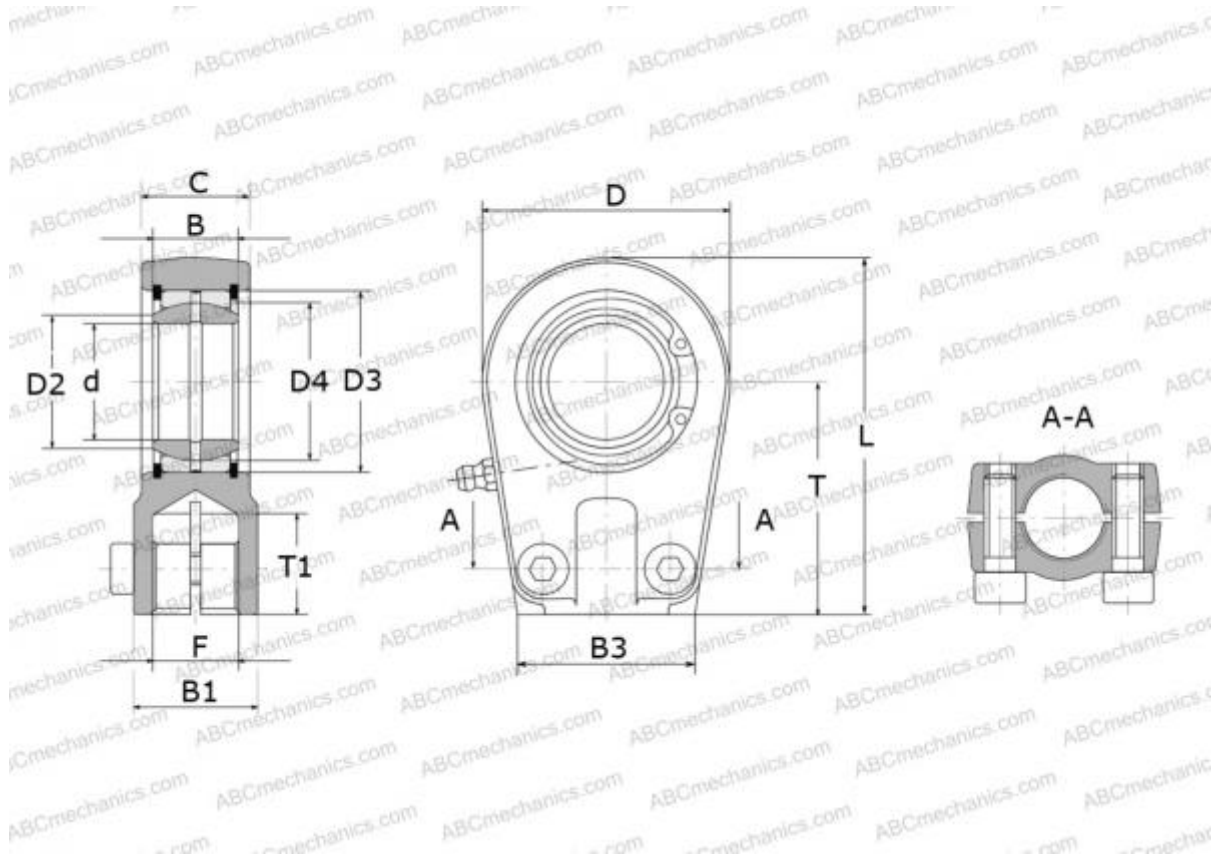


## SIR 25 ES SKF

Rod ends

TYPE: Plain bearings, Spherical plain bearings and rod ends, Rod ends, Hydraulic, Requiring maintenance, with thread clamping device, open design, right hand thread, series SIR..ES (SKF)



### Technical specification

#### DIMENSIONS, MM

d	25,000
D	57,000
D4	35,500
B	20,000
B1	26,000
B2	23,500
B3	42,000
L	79,500
T	50,000
T1	17,000
C	23,500
F	M16x1.5

#### CALCULATION DATA

Basic dynamic load rating, C	48,000 kN
Basic static load rating, Co	52,000 kN

#### MANUFACTURER

[SKF](http://www.skf.com)