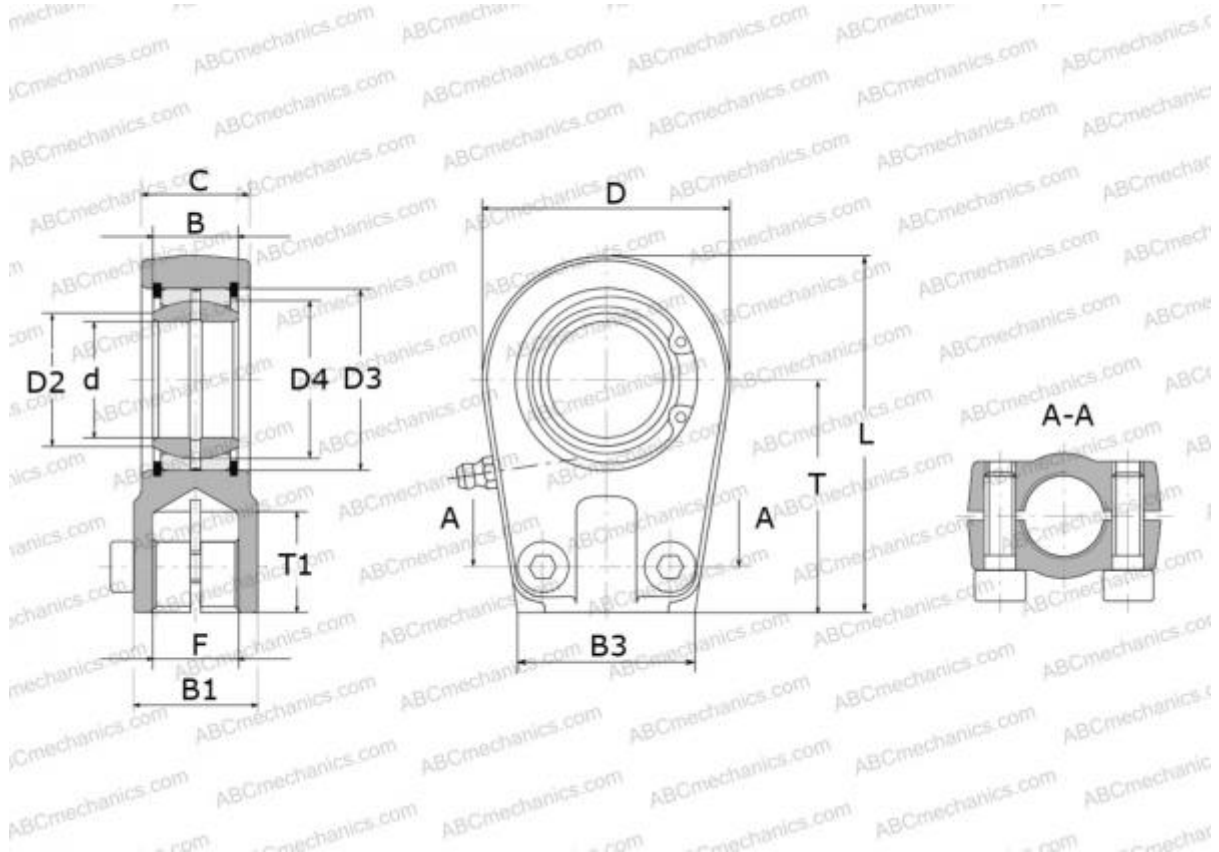


SIR 120 ES SKF

Rod ends

TYPE: Plain bearings, Spherical plain bearings and rod ends, Rod ends, Hydraulic, Requiring maintenance, with thread clamping device, open design, right hand thread, series SIR..ES (SKF)



Technical specification

DIMENSIONS, MM

d	120,000
D	343,000
D4	160,000
B	85,000
B1	175,000
B2	86,000
B3	257,000
L	493,000
T	310,000
T1	135,000
C	90,500
F	M130x3

CALCULATION DATA

Basic dynamic load rating, C	950,000 kN
Basic static load rating, Co	2450,000 kN

MANUFACTURER

[SKF](http://www.skf.com)