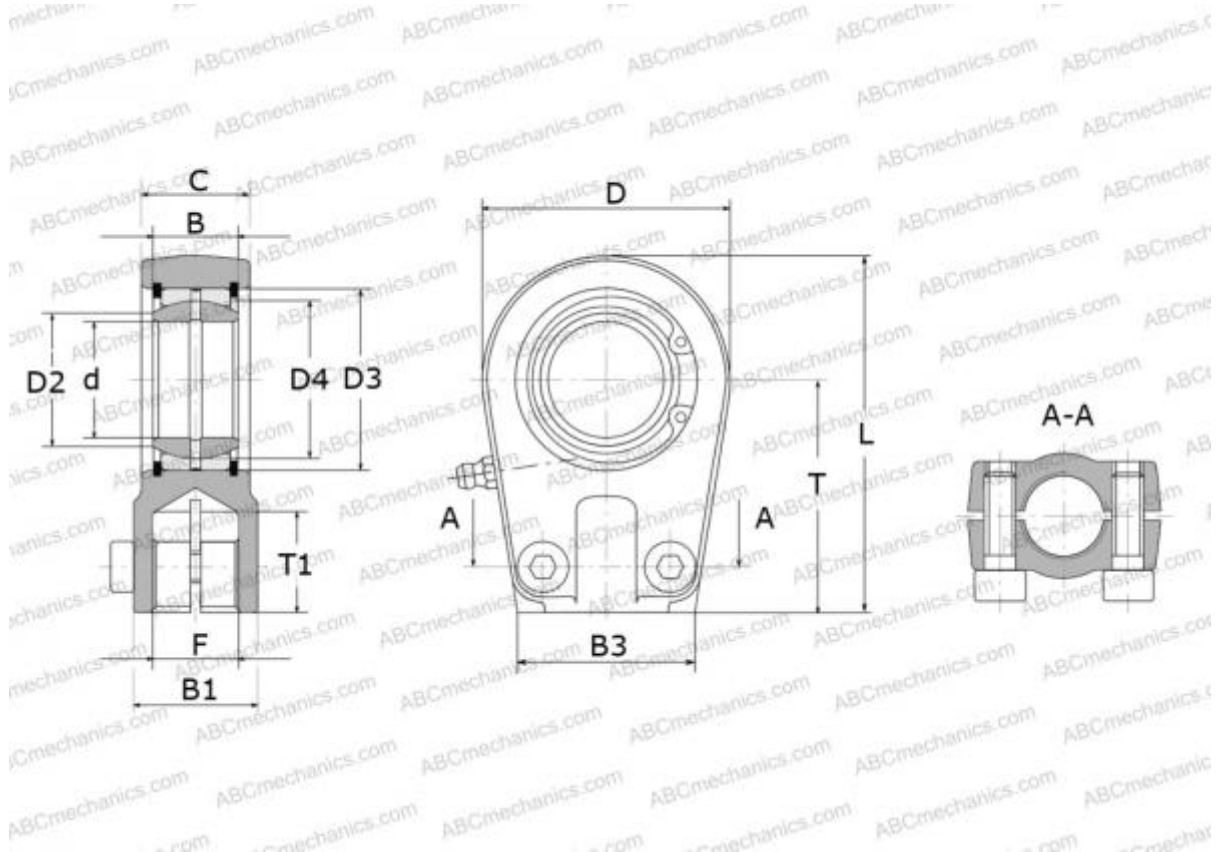


SILR 25 ES SKF

Rod ends

TYPE: Plain bearings, Spherical plain bearings and rod ends, Rod ends, Hydraulic, Requiring maintenance, with thread clamping device, open design, left hand thread, series SILR..ES (SKF)



Technical specification

DIMENSIONS, MM

| | |
|----|---------|
| d | 25,000 |
| D | 57,000 |
| D4 | 35,500 |
| B | 20,000 |
| B1 | 26,000 |
| B2 | 23,500 |
| B3 | 42,000 |
| L | 79,500 |
| T | 50,000 |
| T1 | 17,000 |
| C | 23,500 |
| F | M16x1.5 |

WEIGHT, KG 0,490

MANUFACTURER

[SKF](#)

CALCULATION DATA

| | |
|------------------------------|-----------|
| Basic dynamic load rating, C | 48,000 kN |
| Basic static load rating, Co | 52,000 kN |