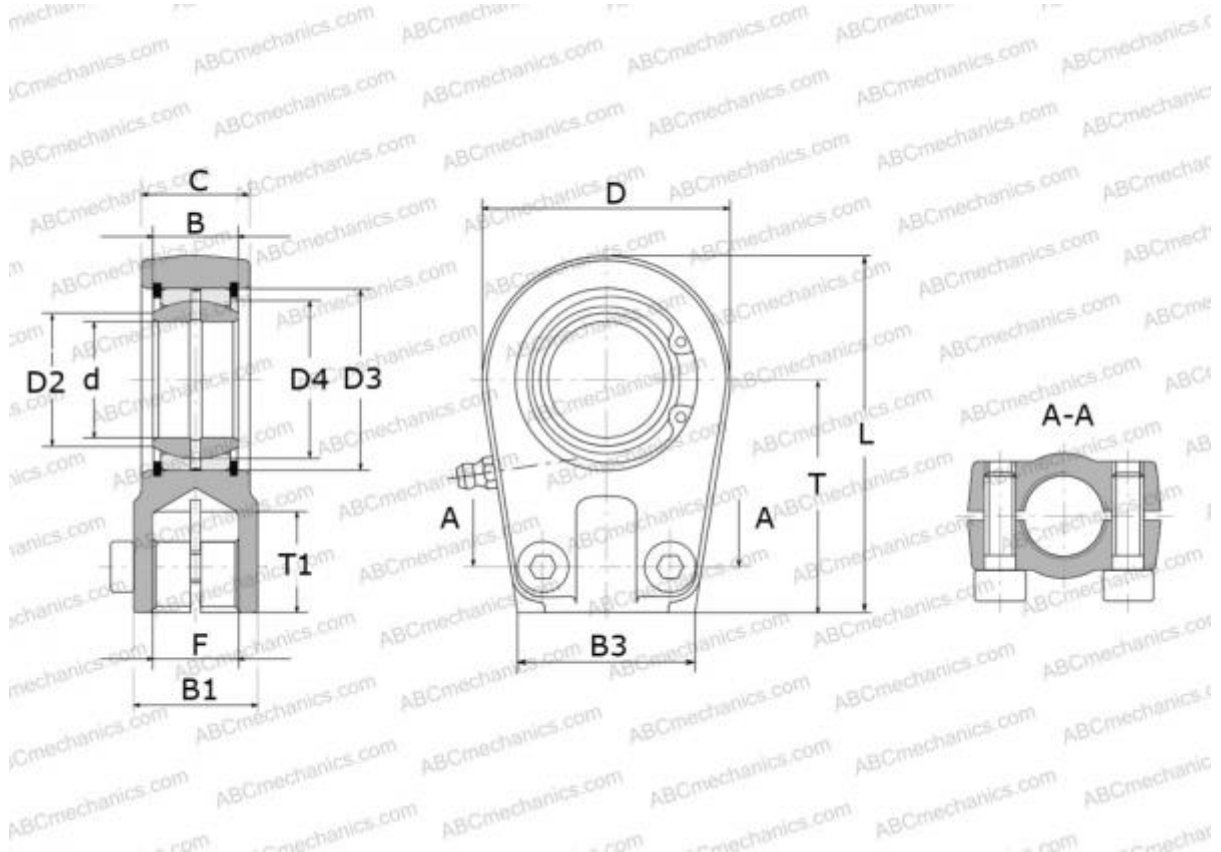


SILR 40 ES SKF

Rod ends

TYPE: Plain bearings, Spherical plain bearings and rod ends, Rod ends, Hydraulic, Requiring maintenance, with thread clamping device, open design, left hand thread, series SILR..ES (SKF)



Technical specification

DIMENSIONS, MM

| | |
|----|---------|
| d | 40,000 |
| D | 95,000 |
| D4 | 53,000 |
| B | 28,000 |
| B1 | 50,500 |
| B2 | 35,500 |
| B3 | 67,000 |
| L | 133,500 |
| T | 85,000 |
| T1 | 36,000 |
| C | 35,500 |
| F | M35x1.5 |

WEIGHT, KG 2,100

MANUFACTURER

[SKF](#)

CALCULATION DATA

| | |
|------------------------------|------------|
| Basic dynamic load rating, C | 100,000 kN |
| Basic static load rating, Co | 200,000 kN |