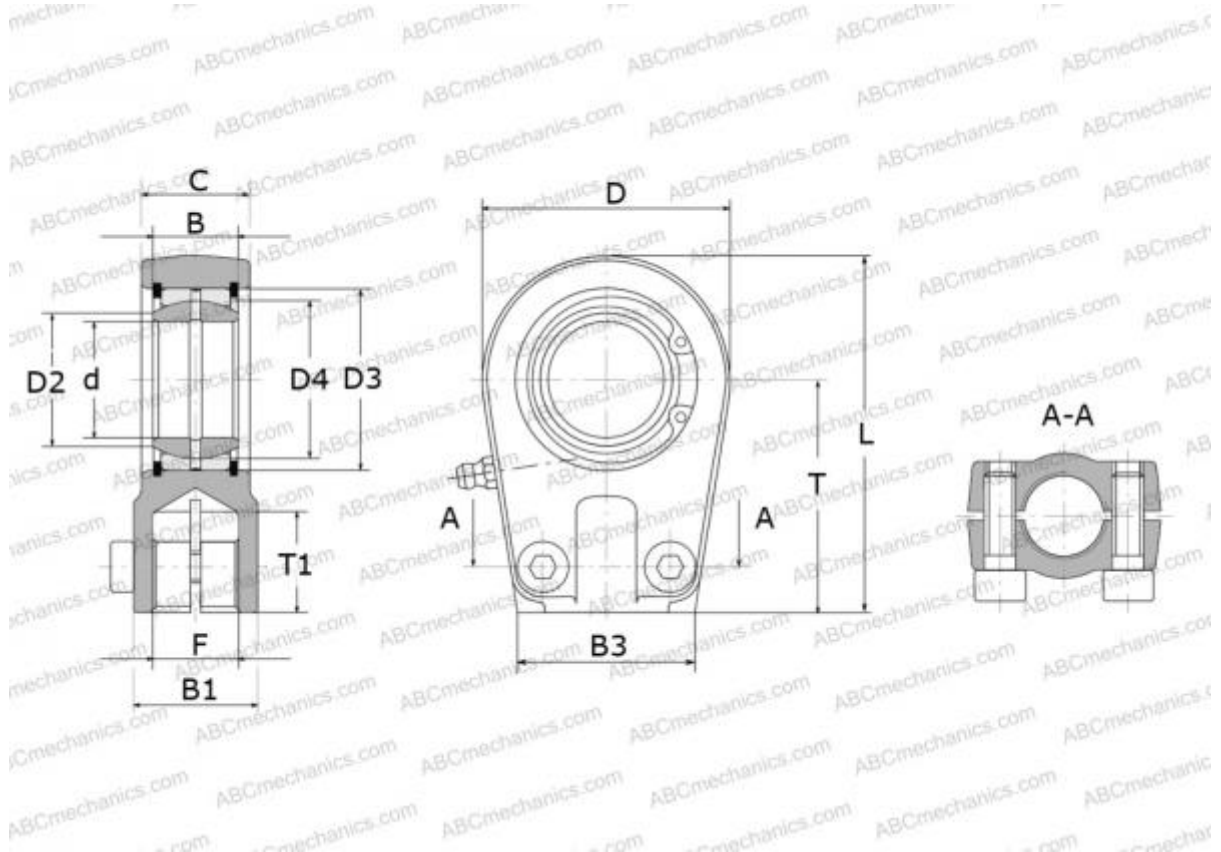


SILR 70 ES SKF

Rod ends

TYPE: Plain bearings, Spherical plain bearings and rod ends, Rod ends, Hydraulic, Requiring maintenance, with thread clamping device, open design, left hand thread, series SILR..ES (SKF)



Technical specification

DIMENSIONS, MM

d	70,000
D	156,000
D4	92,000
B	49,000
B1	87,500
B2	55,500
B3	101,000
L	234,500
T	150,000
T1	66,000
C	55,500
F	M65x1.5

WEIGHT, KG 9,400

MANUFACTURER

[SKF](#)

CALCULATION DATA

Basic dynamic load rating, C	315,000 kN
Basic static load rating, Co	450,000 kN