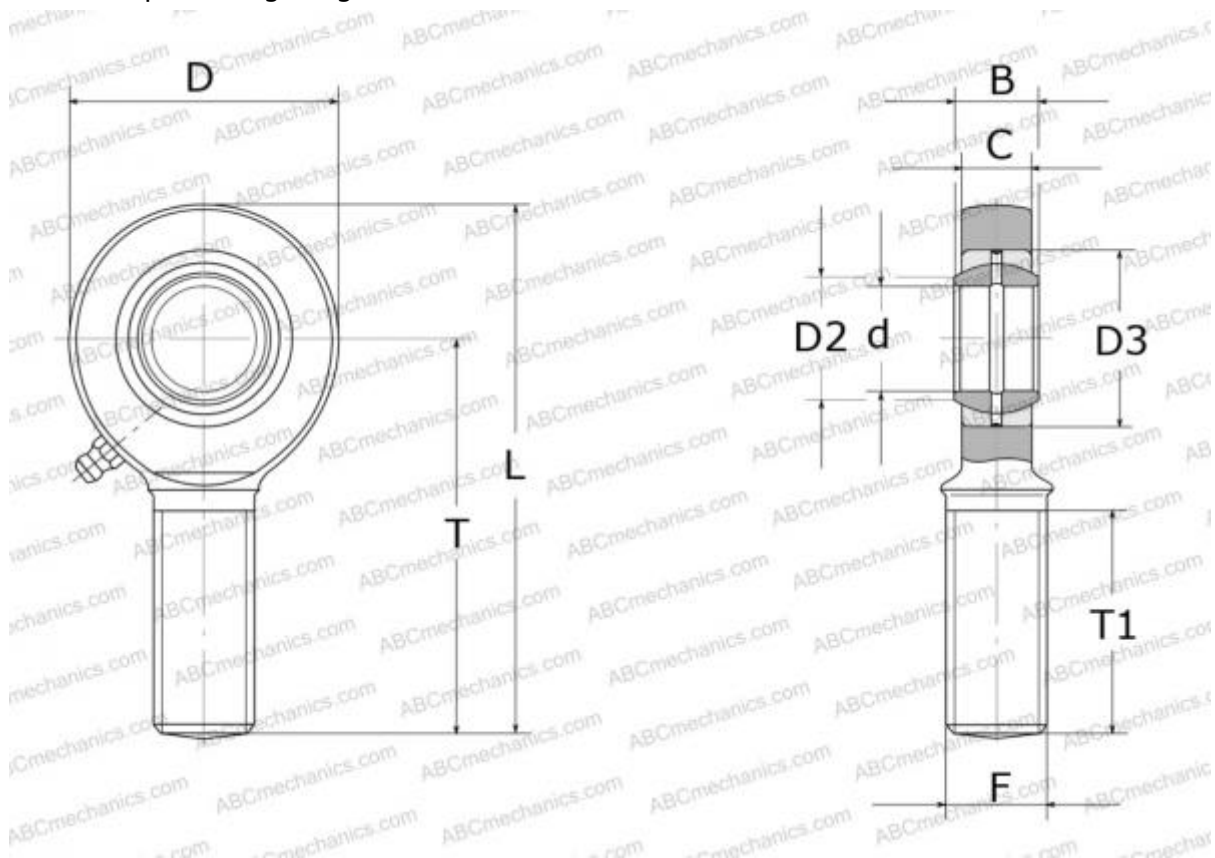


## SA 12 E SKF

Rod ends

TYPE: Plain bearings, Spherical plain bearings and rod ends, Rod ends, Requiring maintenance, With external thread, open design, right hand thread, series SA..ES (SKF)



### Technical specification

#### DIMENSIONS, MM

d	12,000
D	35,000
B	10,000
L	73,000
T	54,000
T1	28,000
C	8,500
F	M12

#### MANUFACTURER

[SKF](#)

#### CALCULATION DATA

Basic dynamic load rating, C	10,800 kN
Basic static load rating, Co	24,500 kN