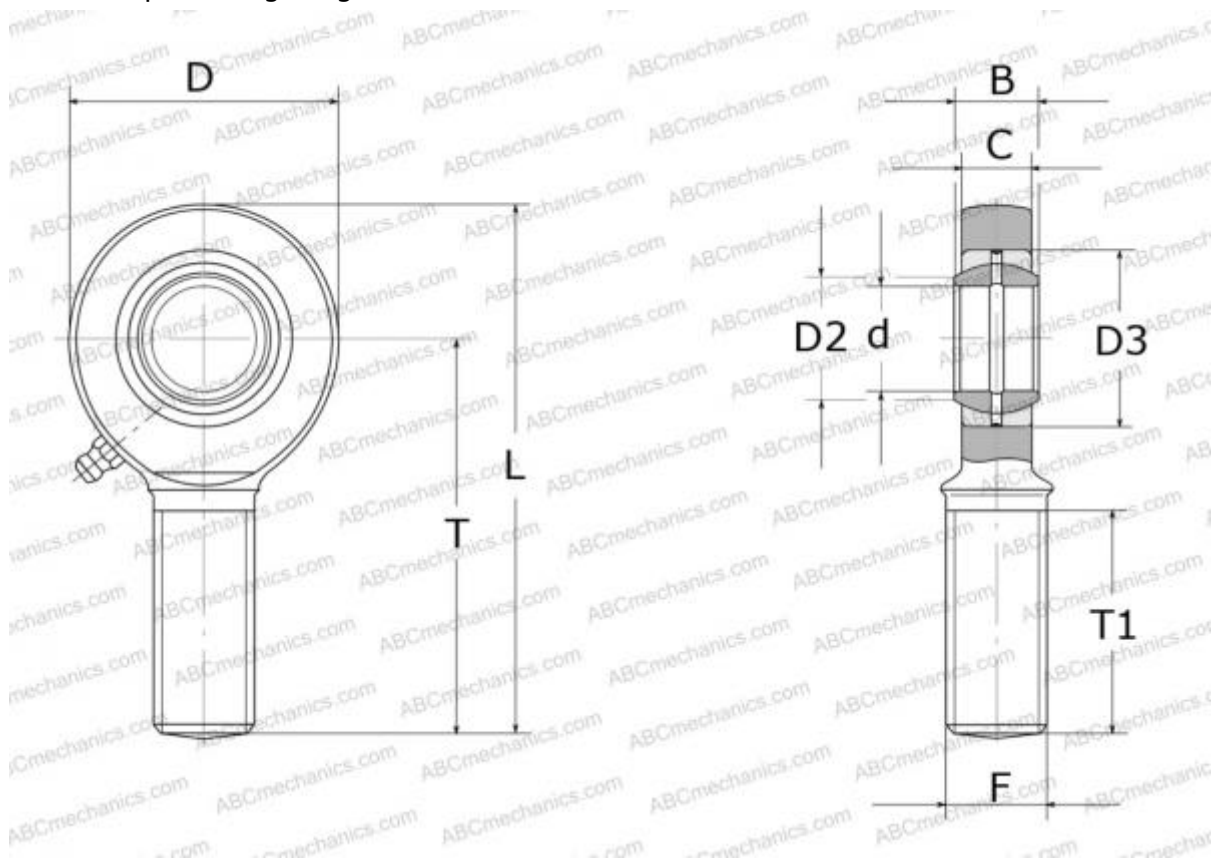


SA 15 ES SKF

Rod ends

TYPE: Plain bearings, Spherical plain bearings and rod ends, Rod ends, Requiring maintenance, With external thread, open design, right hand thread, series SA..ES (SKF)



Technical specification

DIMENSIONS, MM

d	15,000
D	41,000
B	12,000
L	85,000
T	63,000
T1	34,000
C	10,500
F	M14

MANUFACTURER [SKF](#)

CALCULATION DATA

Basic dynamic load rating, C	17,000 kN
Basic static load rating, Co	28,000 kN