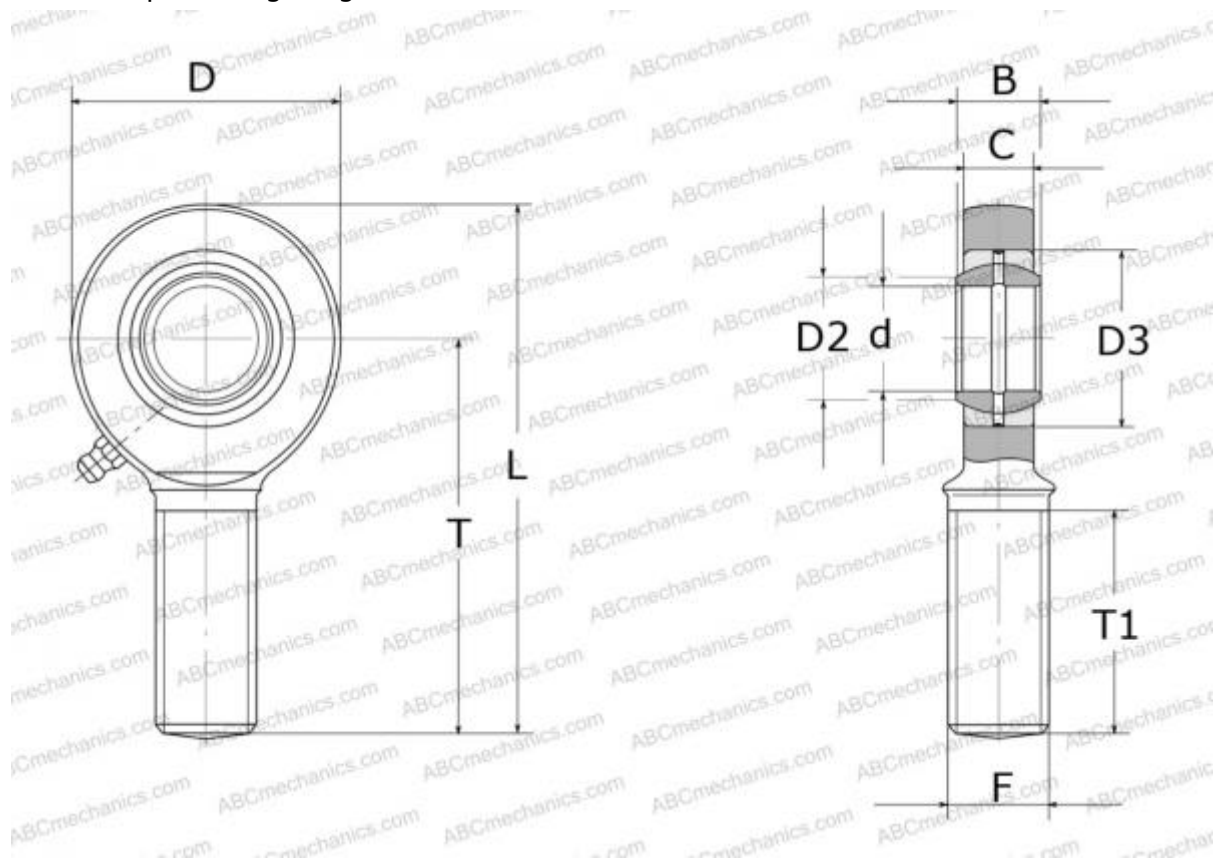


## SA 30 ES SKF

Rod ends

TYPE: Plain bearings, Spherical plain bearings and rod ends, Rod ends, Requiring maintenance, With external thread, open design, right hand thread, series SA..ES (SKF)



### Technical specification

#### DIMENSIONS, MM

|    |         |
|----|---------|
| d  | 30,000  |
| D  | 75,000  |
| B  | 22,000  |
| L  | 149,000 |
| T  | 110,000 |
| T1 | 65,000  |
| C  | 20,000  |
| F  | M30x2   |

#### MANUFACTURER

[SKF](#)

#### CALCULATION DATA

|                              |           |
|------------------------------|-----------|
| Basic dynamic load rating, C | 62,000 kN |
| Basic static load rating, Co | 81,500 kN |