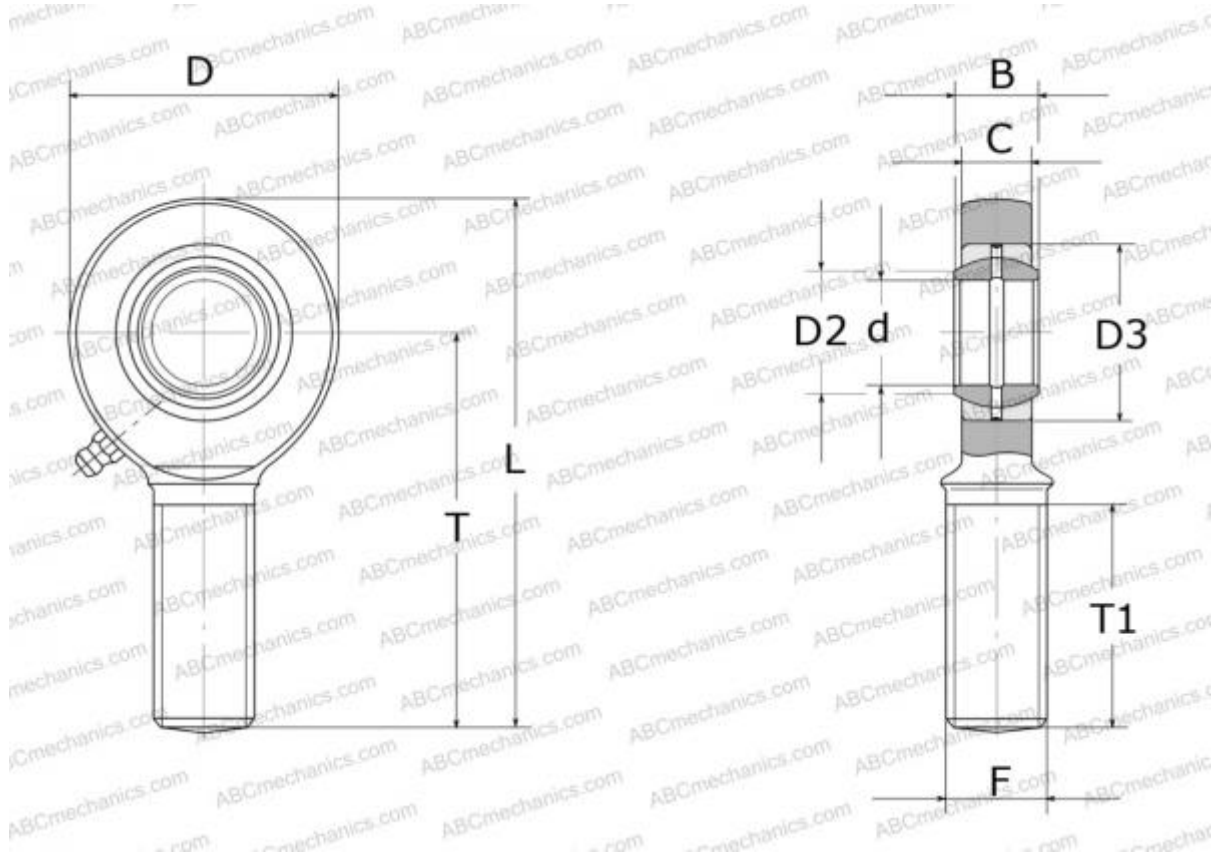


SAL 12 E SKF

Rod ends

TYPE: Plain bearings, Spherical plain bearings and rod ends, Rod ends, Requiring maintenance, With external thread, open design, left hand thread, series SAL..ES (SKF)



Technical specification

DIMENSIONS, MM

d	12,000
D	35,000
B	10,000
L	73,000
T	54,000
T1	28,000
C	8,500
F	M12

WEIGHT, KG 0,078

MANUFACTURER [SKF](#)

CALCULATION DATA

Basic dynamic load rating, C	10,800 kN
Basic static load rating, Co	24,500 kN