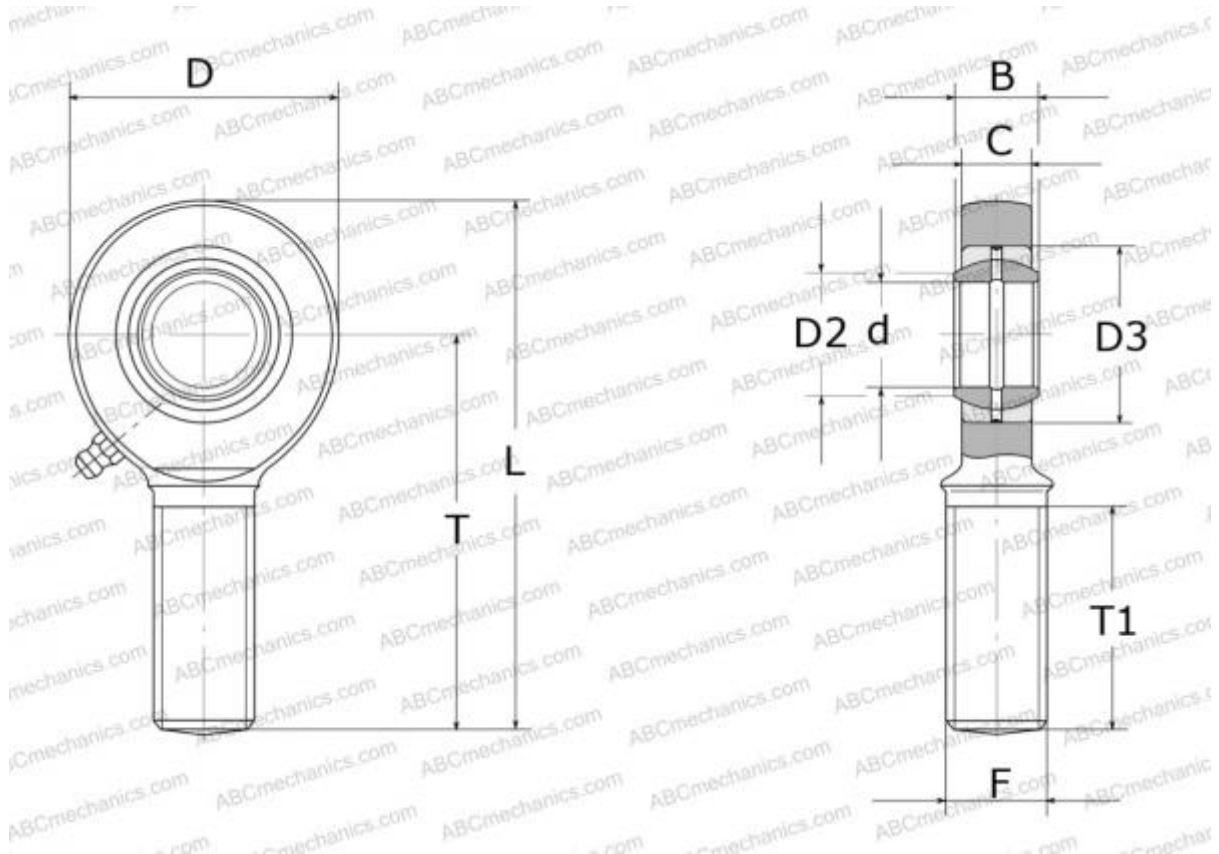


SAL 20 ES SKF

Rod ends

TYPE: Plain bearings, Spherical plain bearings and rod ends, Rod ends, Requiring maintenance, With external thread, open design, left hand thread, series SAL..ES (SKF)



Technical specification

DIMENSIONS, MM

d	20,000
D	54,000
B	16,000
L	107,000
T	78,000
T1	43,000
C	13,500
F	M20x1.5

WEIGHT, KG 0,320

MANUFACTURER [SKF](#)

CALCULATION DATA

Basic dynamic load rating, C	30,000 kN
Basic static load rating, Co	42,500 kN