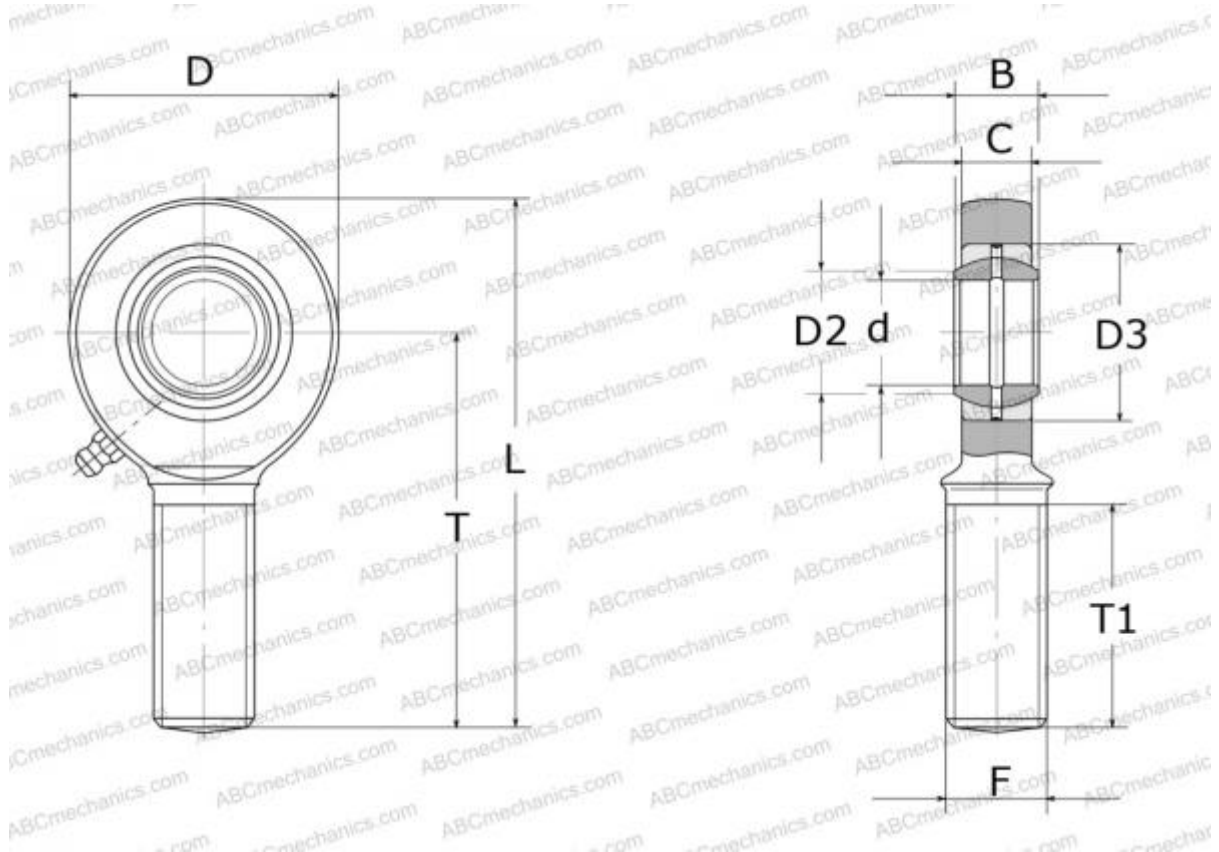


SAL 25 ES SKF

Rod ends

TYPE: Plain bearings, Spherical plain bearings and rod ends, Rod ends, Requiring maintenance, With external thread, open design, left hand thread, series SAL..ES (SKF)



Technical specification

DIMENSIONS, MM

d	25,000
D	65,000
B	20,000
L	128,000
T	94,000
T1	53,000
C	18,000
F	M24x2

WEIGHT, KG 0,530

MANUFACTURER [SKF](#)

CALCULATION DATA

Basic dynamic load rating, C	48,000 kN
Basic static load rating, Co	78,000 kN