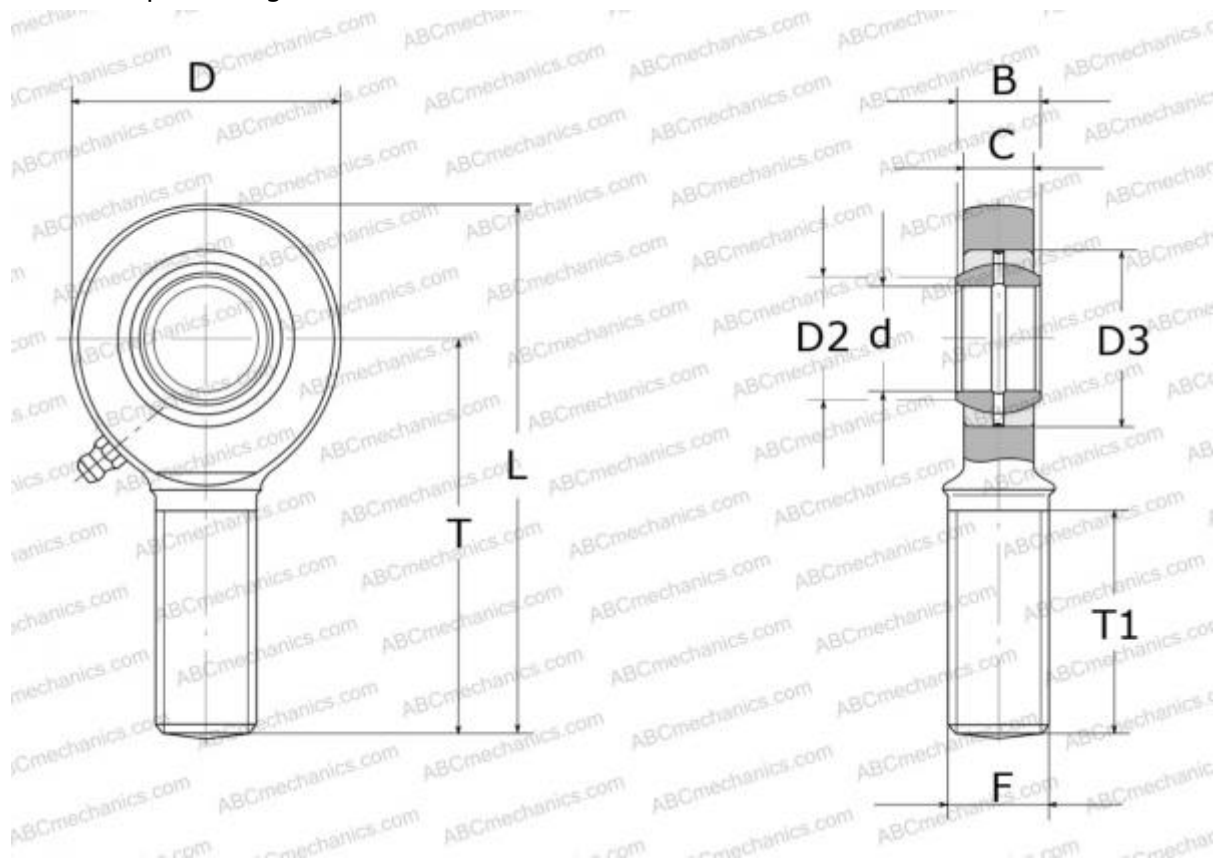


SAL 30 ES SKF

Rod ends

TYPE: Plain bearings, Spherical plain bearings and rod ends, Rod ends, Requiring maintenance, With external thread, open design, left hand thread, series SAL..ES (SKF)



Technical specification

DIMENSIONS, MM

d	30,000
D	75,000
B	22,000
L	149,000
T	110,000
T1	65,000
C	20,000
F	M30x2

MANUFACTURER

[SKF](#)

CALCULATION DATA

Basic dynamic load rating, C	62,000 kN
Basic static load rating, Co	81,500 kN