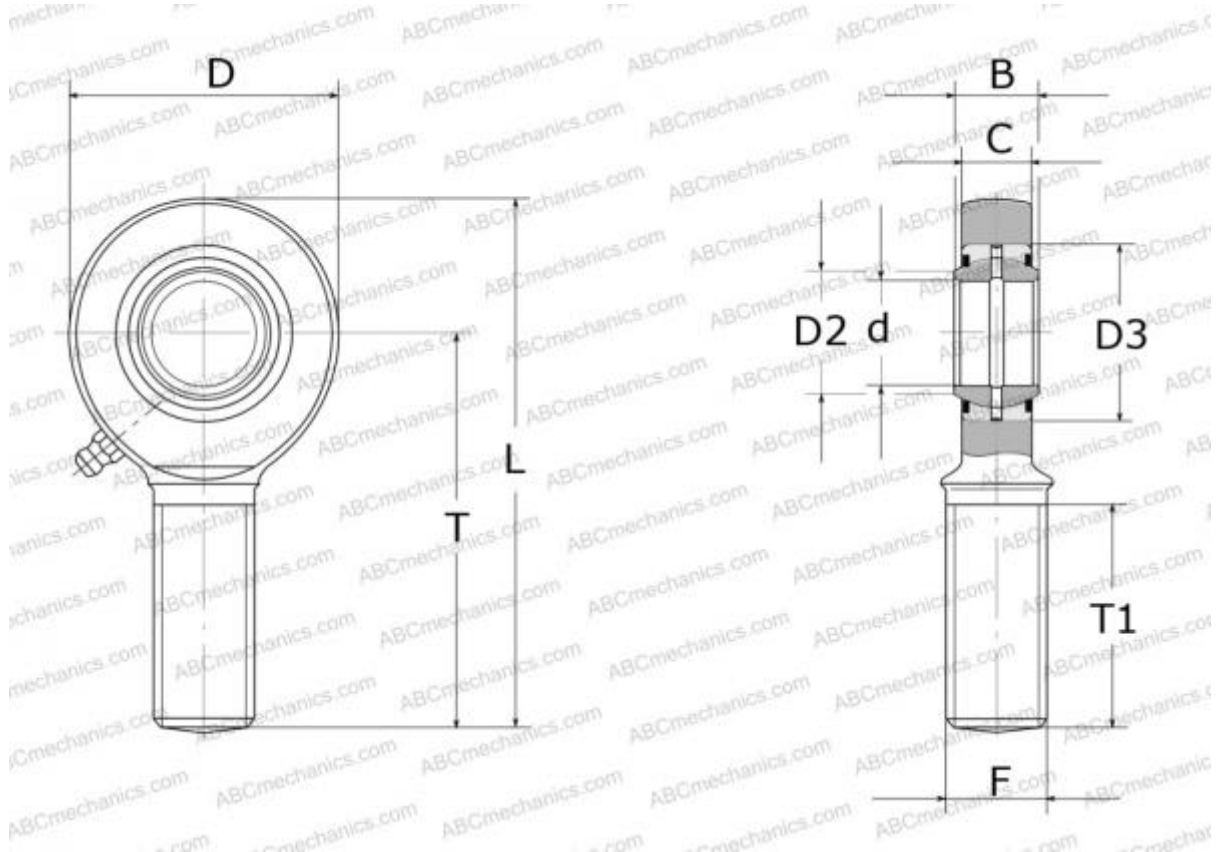


## SAA 70 ES-2RS SKF

Rod ends

TYPE: Plain bearings, Spherical plain bearings and rod ends, Rod ends, Requiring maintenance, With external thread, open design, right hand thread, series SA(A)..ES-2RS (SKF)



### Technical specification

#### DIMENSIONS, MM

d	70,000
D	162,000
B	49,000
L	319,000
T	235,000
T1	125,000
C	43,000
F	M56x4

**WEIGHT, KG** 7,900

**MANUFACTURER** [SKF](#)

#### CALCULATION DATA

Basic dynamic load rating, C	315,000 kN
Basic static load rating, Co	490,000 kN