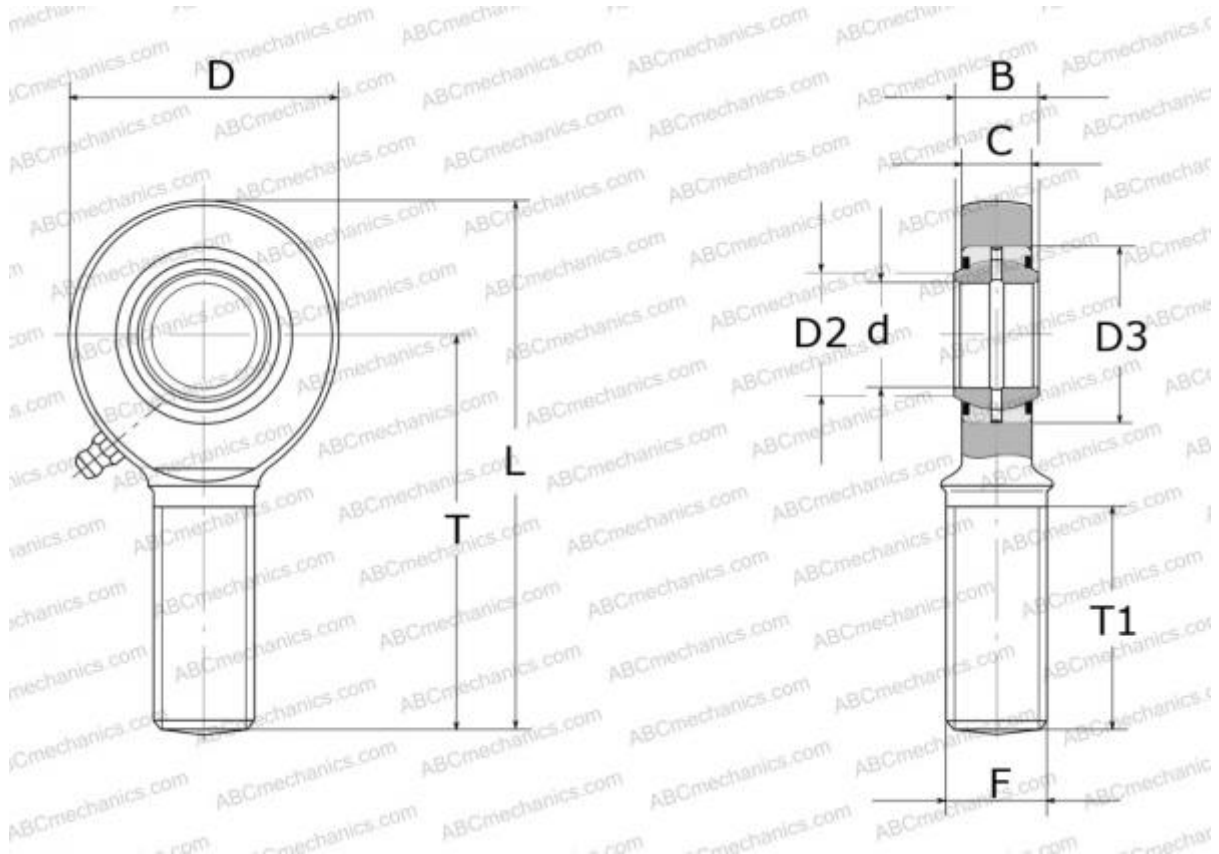


## SAL 60 ES-2RS SKF

Rod ends

TYPE: Plain bearings, Spherical plain bearings and rod ends, Rod ends, Requiring maintenance, With external thread, open design, left hand thread, series SAL(A)..ES-2RS (SKF)



### Technical specification

#### DIMENSIONS, MM

d	60,000
D	137,000
B	44,000
L	296,000
T	225,000
T1	120,000
C	39,000
F	M60x4

**WEIGHT, KG** 6,250

**MANUFACTURER** [SKF](#)

#### CALCULATION DATA

Basic dynamic load rating, C	245,000 kN
Basic static load rating, Co	360,000 kN