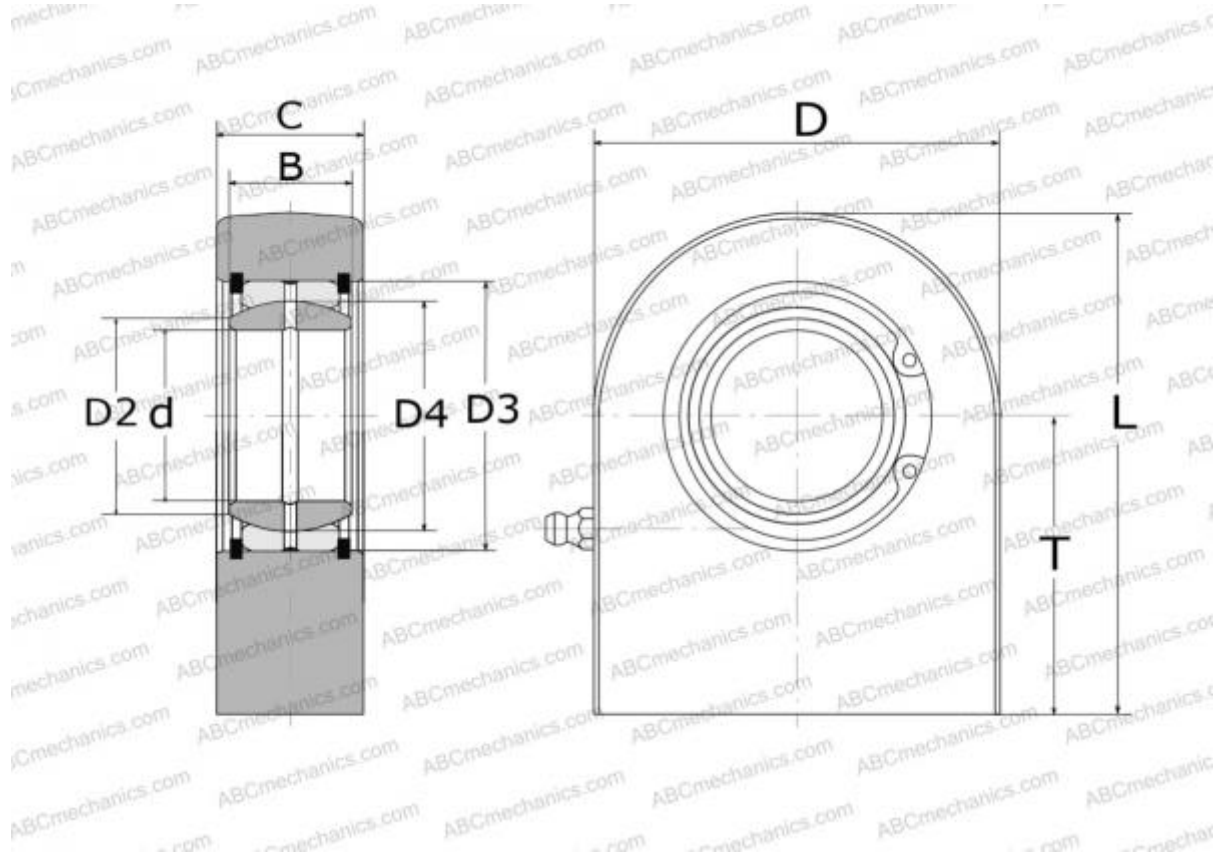


## SCF20 ES SKF

Rod ends

TYPE: Plain bearings, Spherical plain bearings and rod ends, Rod ends, Hydraulic, Requiring maintenance, with rectangular welding face, open design, series SCF..ES (SKF)



### Technical specification

#### DIMENSIONS, MM

d	20,000
D	51,500
D4	29,000
B	16,000
L	64,000
T	38,000
C	20,000

**WEIGHT, KG** 0,350

**MANUFACTURER** [SKF](#)

#### CALCULATION DATA

Basic dynamic load rating, C	30,000 kN
Basic static load rating, Co	63,000 kN