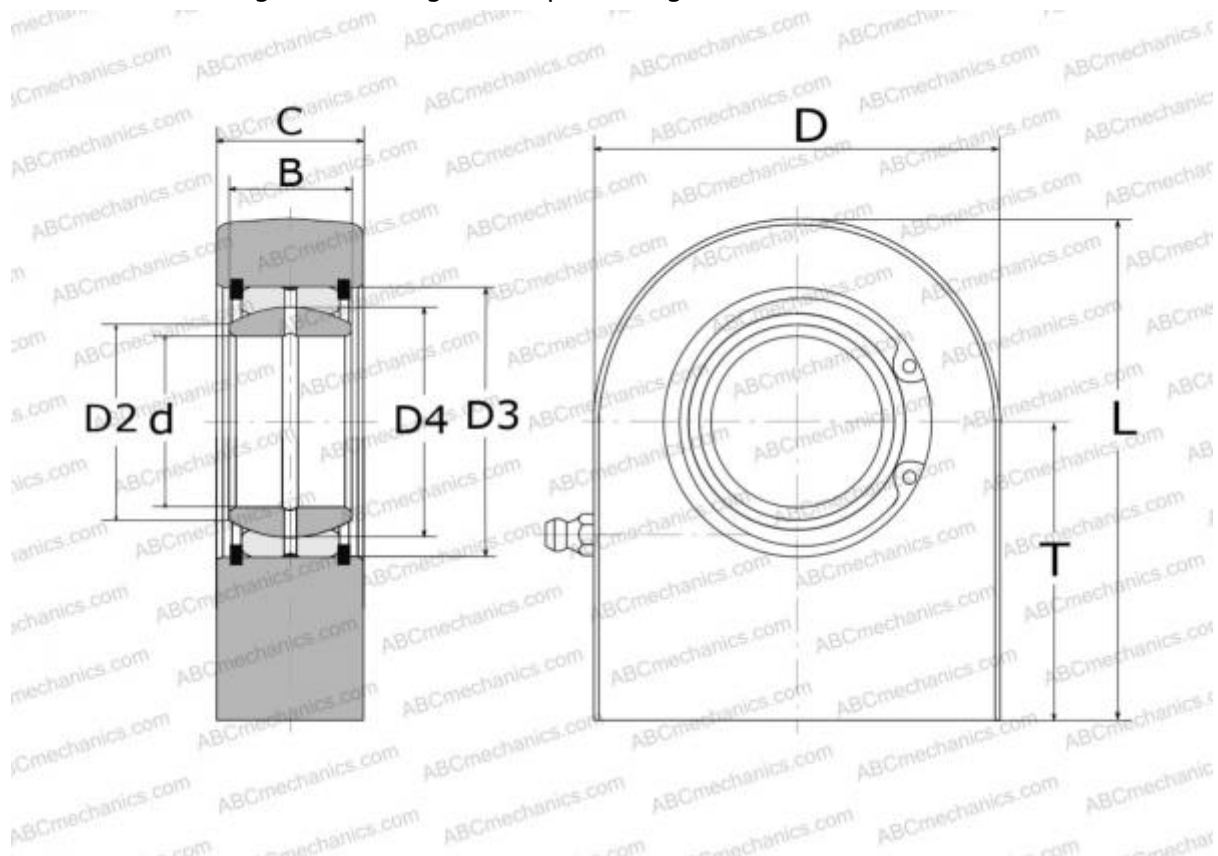


SCF 50 ES SKF

Rod ends

TYPE: Plain bearings, Spherical plain bearings and rod ends, Rod ends, Hydraulic, Requiring maintenance, with rectangular welding face, open design, series SCF..ES (SKF)



Technical specification

DIMENSIONS, MM

d	50,000
D	125,500
D4	66,000
B	35,000
L	151,000
T	88,000
C	41,500

MANUFACTURER

[SKF](#)

CALCULATION DATA

Basic dynamic load rating, C	156,000 kN
Basic static load rating, Co	415,000 kN