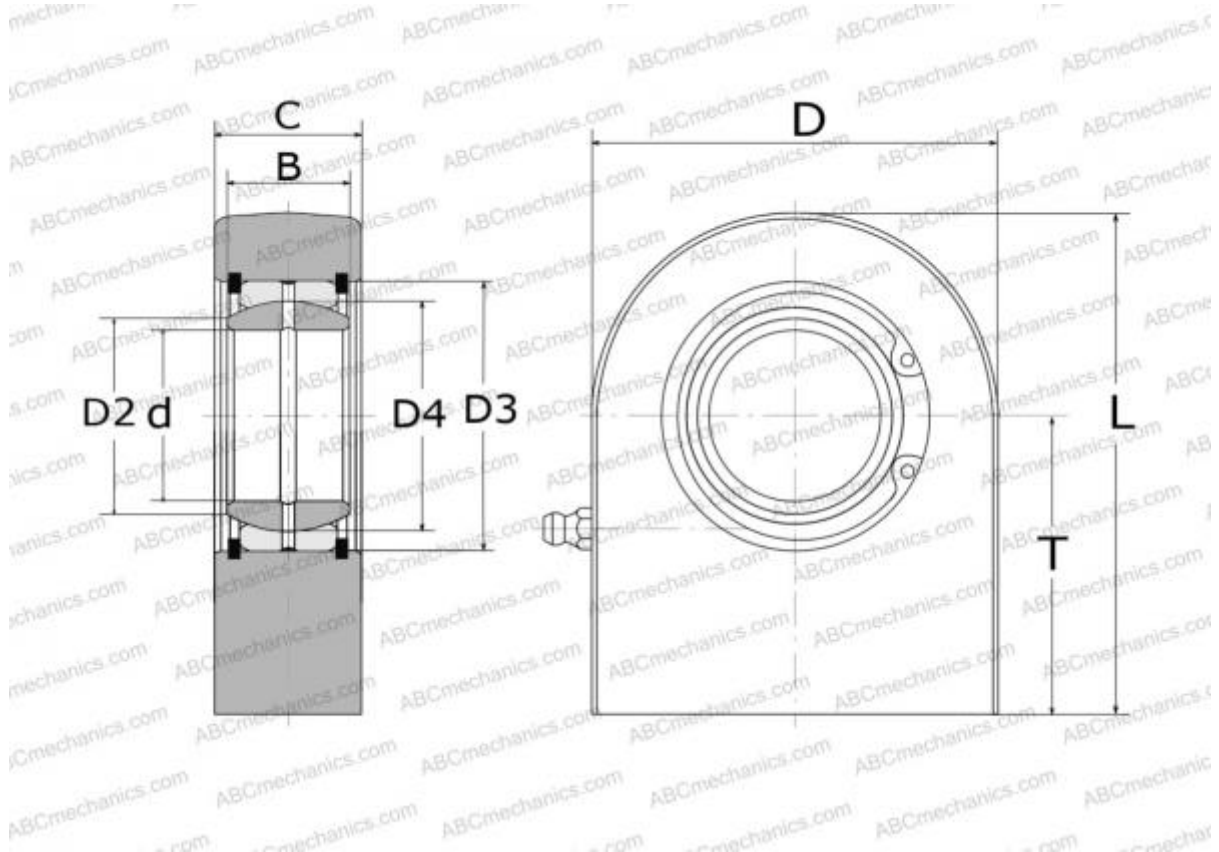


SCF 80 ES SKF

Rod ends

TYPE: Plain bearings, Spherical plain bearings and rod ends, Rod ends, Hydraulic, Requiring maintenance, with rectangular welding face, open design, series SCF..ES (SKF)



Technical specification

DIMENSIONS, MM

d	80,000
D	182,500
D4	105,000
B	55,000
L	232,500
T	141,000
C	62,000

WEIGHT, KG 15,000

MANUFACTURER [SKF](#)

CALCULATION DATA

Basic dynamic load rating, C	400,000 kN
Basic static load rating, Co	750,000 kN