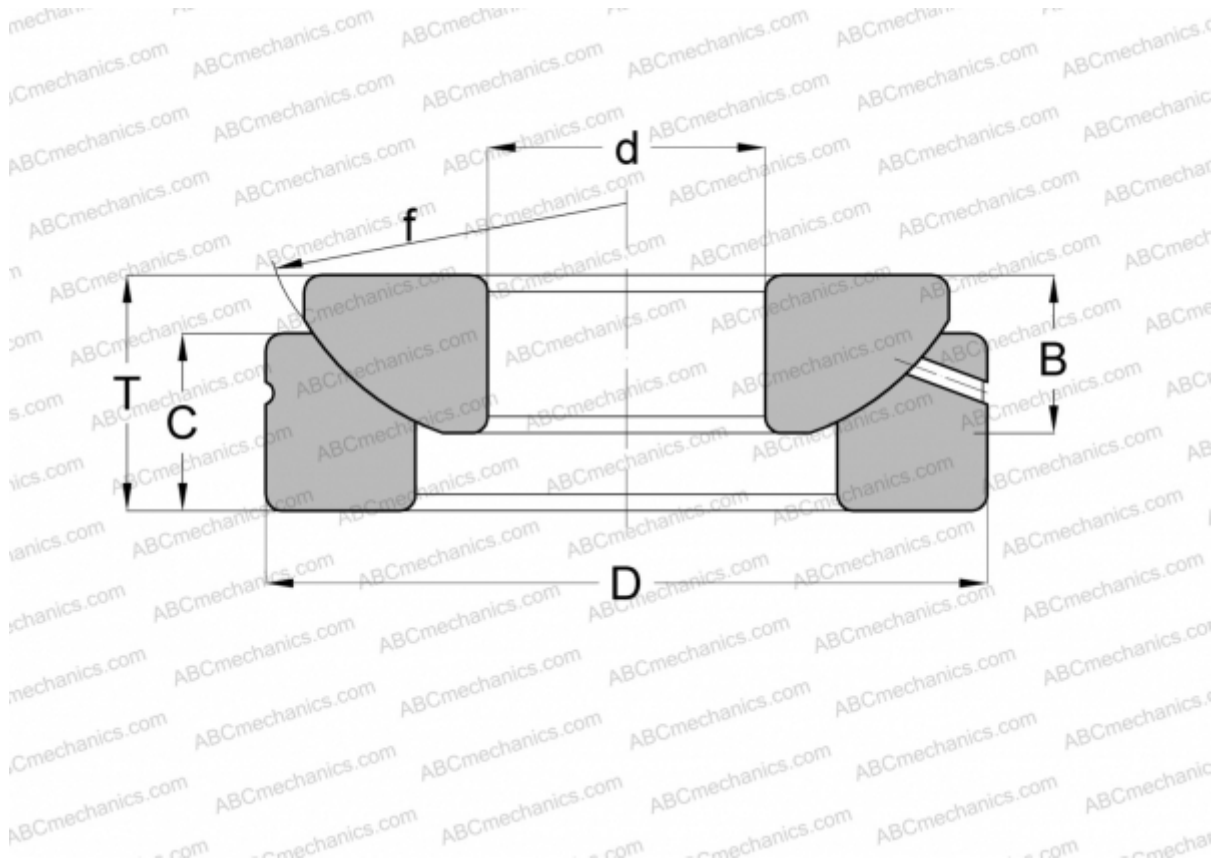


GE 35 AX INA

Spherical plain bearings

TYPE: Plain bearings, Spherical plain bearings and rod ends, Thrust spherical plain bearings,
Requiring maintenance, Series GE..-AX (INA)



Technical specification

DIMENSIONS, MM

d	35,000
D	90,000
B	22,000
f	98,000
T	28,000

MANUFACTURER

[INA](#)