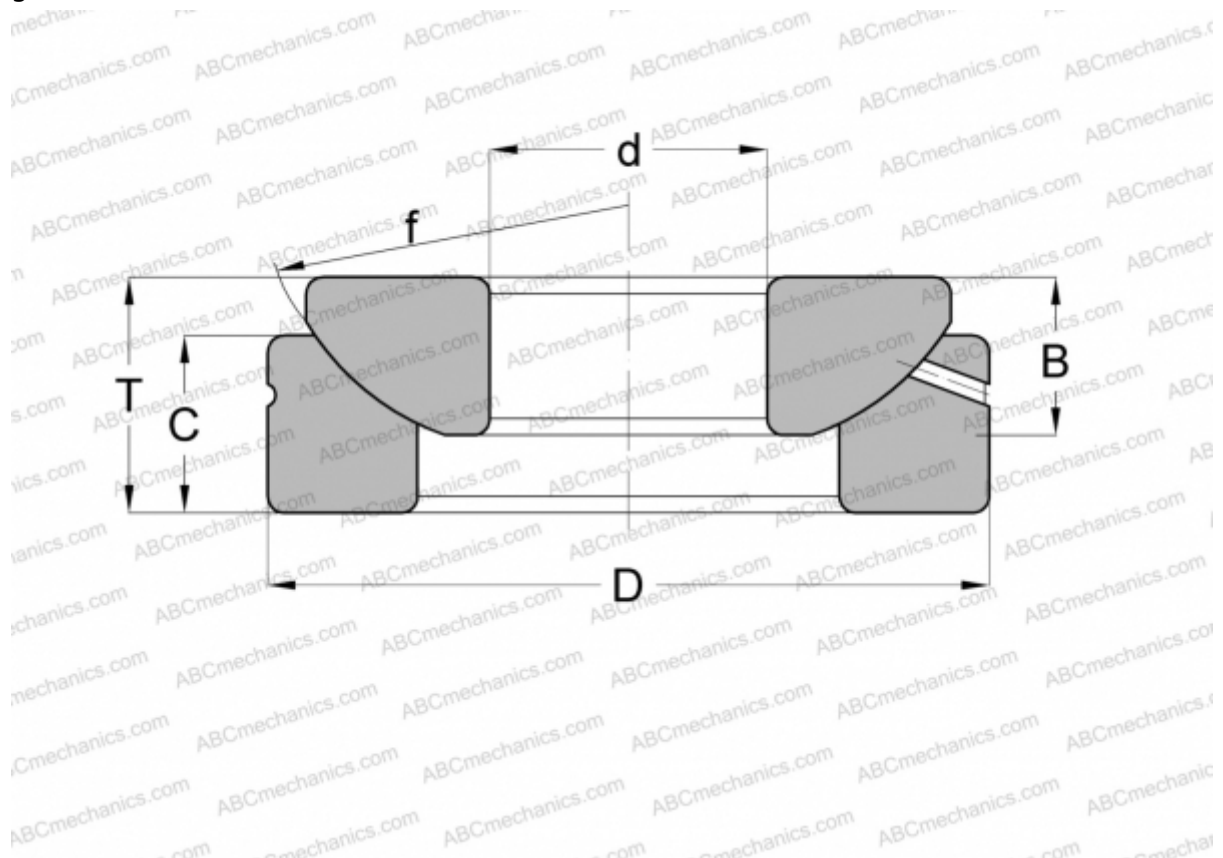


GE 40 AX INA

Spherical plain bearings

TYPE: Plain bearings, Spherical plain bearings and rod ends, Thrust spherical plain bearings,
Requiring maintenance, Series GE...AX (INA)



Technical specification

DIMENSIONS, MM

d	40,000
D	105,000
B	27,000
f	114,000
T	32,000

MANUFACTURER

[INA](#)