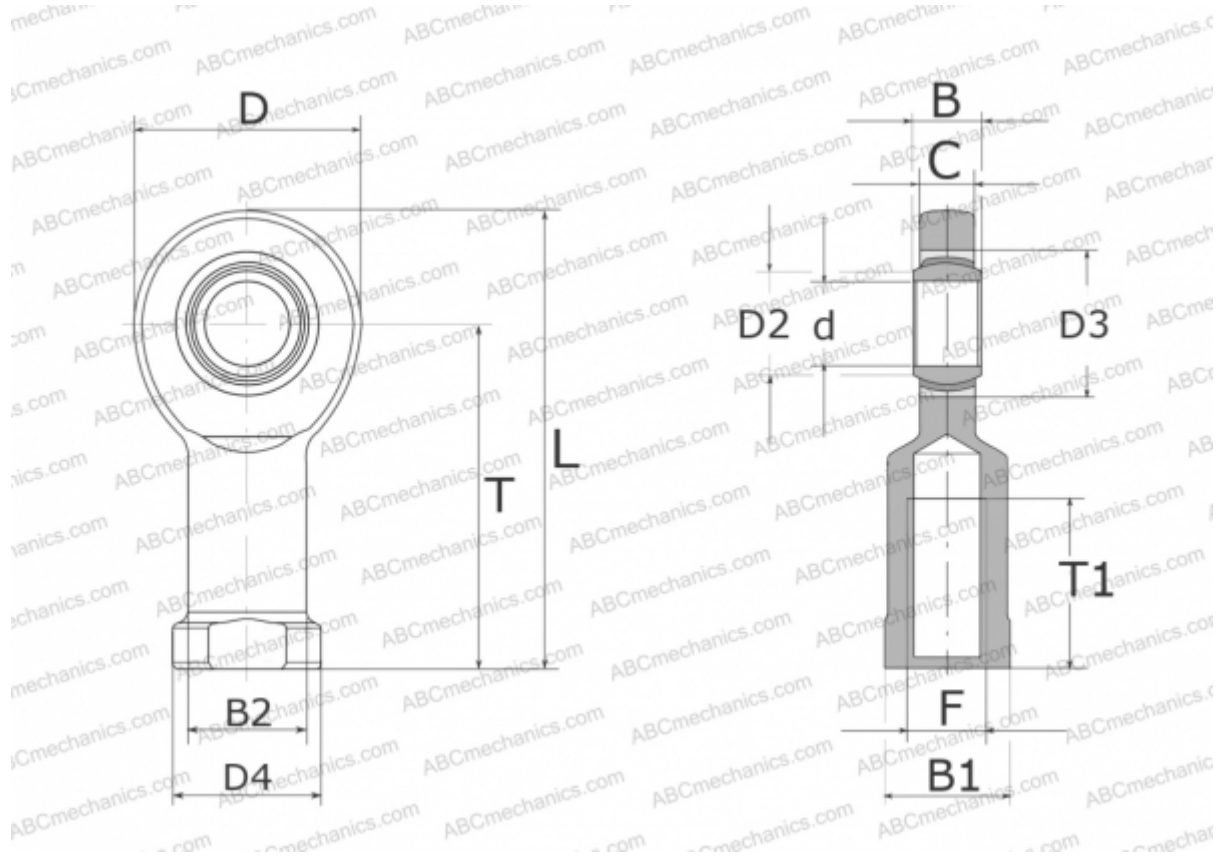


GIR 10 UK INA

TYPE: Plain bearings, Spherical plain bearings and rod ends, Rod ends, Maintenance free, With internal thread, open design, right hand thread, series GIR.-UK (INA)



Technical specification

DIMENSIONS, MM

| | |
|----|--------|
| d | 10,000 |
| D | 29,000 |
| D2 | 13,200 |
| D3 | 19,000 |
| D4 | 19,000 |
| B | 9,000 |
| B1 | 17,000 |
| B2 | 15,000 |
| L | 57,500 |
| T | 43,000 |
| T1 | 20,000 |
| C | 7,000 |
| F | M10 |

MANUFACTURER

[INA](#)