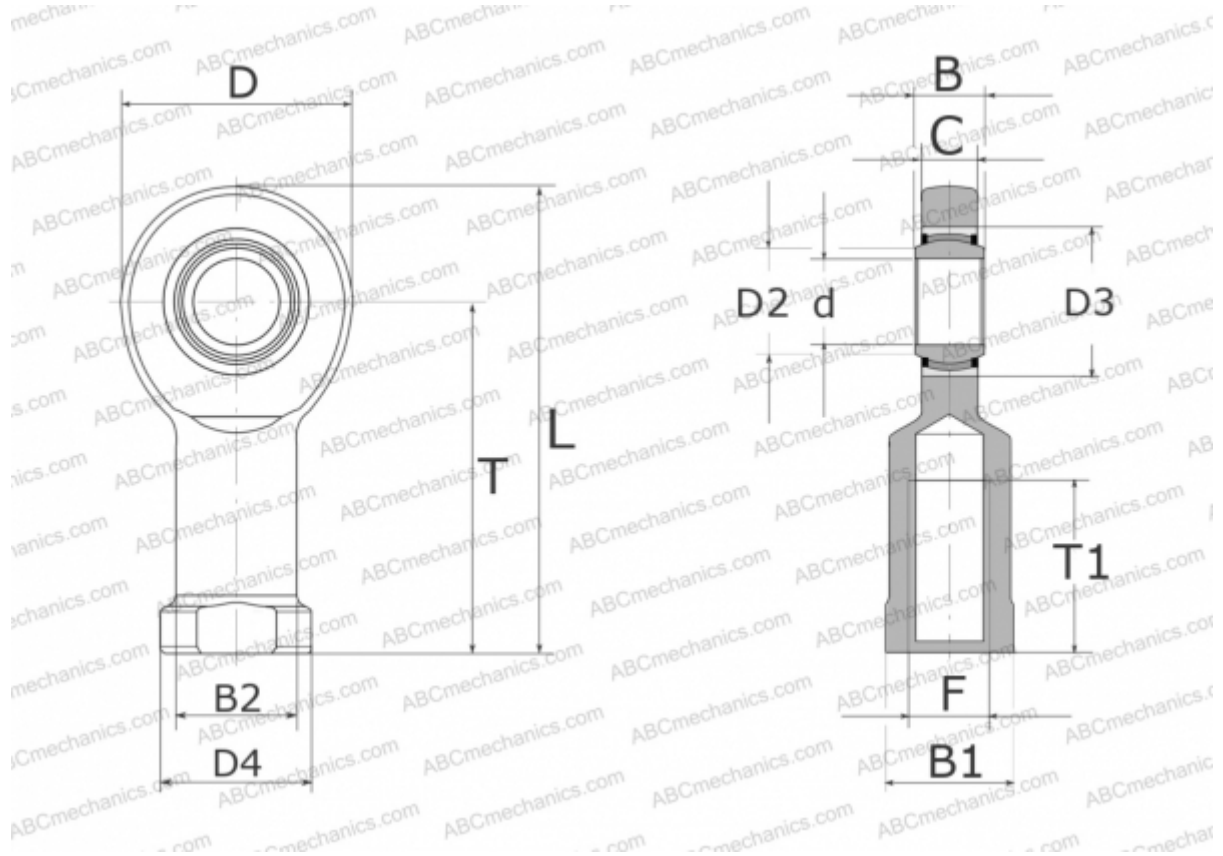


GIR 20 UK 2RS INA

TYPE: Plain bearings, Spherical plain bearings and rod ends, Rod ends, Maintenance free, With internal thread, with lip seals or high performance seals, right hand thread, series GIR..-UK-2RS (INA)



Technical specification

DIMENSIONS, MM

| | |
|----|---------|
| d | 20,000 |
| D | 53,000 |
| D2 | 24,200 |
| D3 | 35,000 |
| D4 | 35,000 |
| B | 16,000 |
| B1 | 32,000 |
| B2 | 27,500 |
| L | 103,500 |
| T | 77,000 |
| T1 | 40,000 |
| C | 13,000 |
| F | M20X1.5 |

MANUFACTURER

[INA](#)