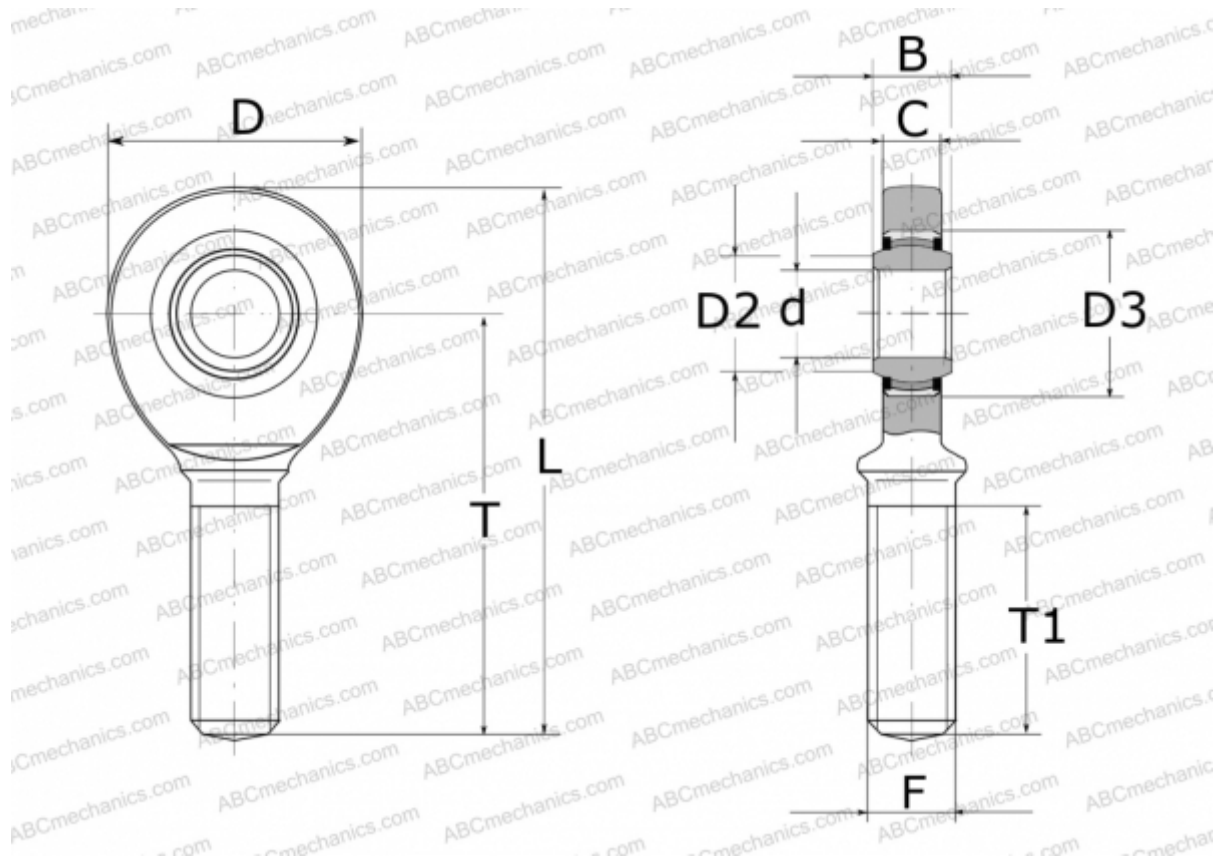


GAR 25 UK 2RS INA

TYPE: Plain bearings, Spherical plain bearings and rod ends, Rod ends, Maintenance free, With external thread, with lip seals or high performance seals, right hand thread, series GAR..-UK-2RS (INA)



Technical specification

DIMENSIONS, MM

| | |
|----|---------|
| d | 25,000 |
| D | 64,000 |
| D2 | 29,300 |
| D3 | 42,000 |
| B | 20,000 |
| L | 126,000 |
| T | 94,000 |
| T1 | 53,000 |
| C | 17,000 |
| F | M24X2 |

MANUFACTURER

[INA](#)