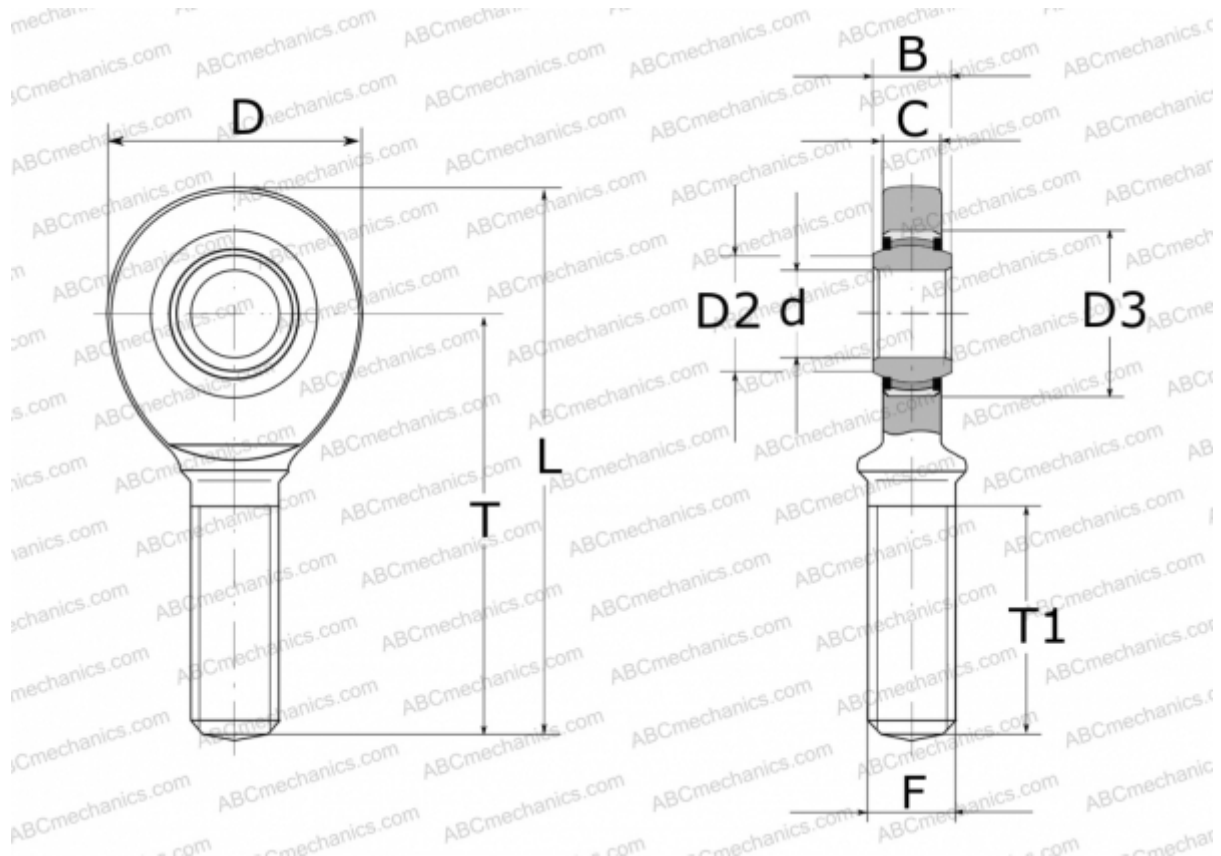


GAR 70 UK 2RS INA

TYPE: Plain bearings, Spherical plain bearings and rod ends, Rod ends, Maintenance free, With external thread, with lip seals or high performance seals, right hand thread, series GAR..-UK-2RS (INA)



Technical specification

DIMENSIONS, MM

d	70,000
D	160,000
D2	77,900
D3	105,000
B	49,000
L	315,000
T	235,000
T1	125,000
C	42,000
F	M56X4

MANUFACTURER

[INA](#)