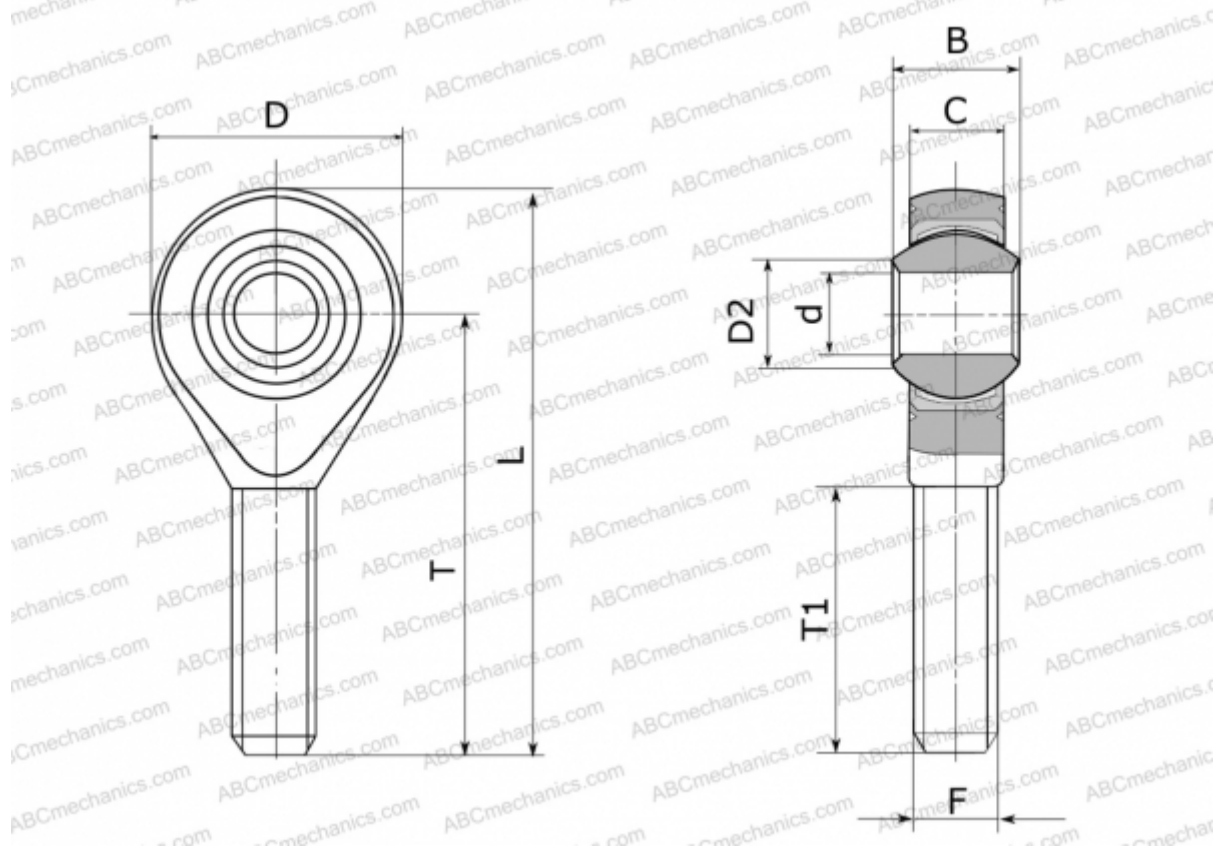


## GAKSR 10 PS INA

TYPE: Plain bearings, Spherical plain bearings and rod ends, Rod ends, Maintenance free, With external thread, open design, right hand thread, corrosion-resistant, series GAKSR..-PS (INA)



### Technical specification

#### DIMENSIONS, MM

d	10,000
D	29,000
D2	12,900
B	14,000
L	62,500
T	48,000
T1	28,000
C	10,500
F	M10

#### MANUFACTURER

[INA](#)