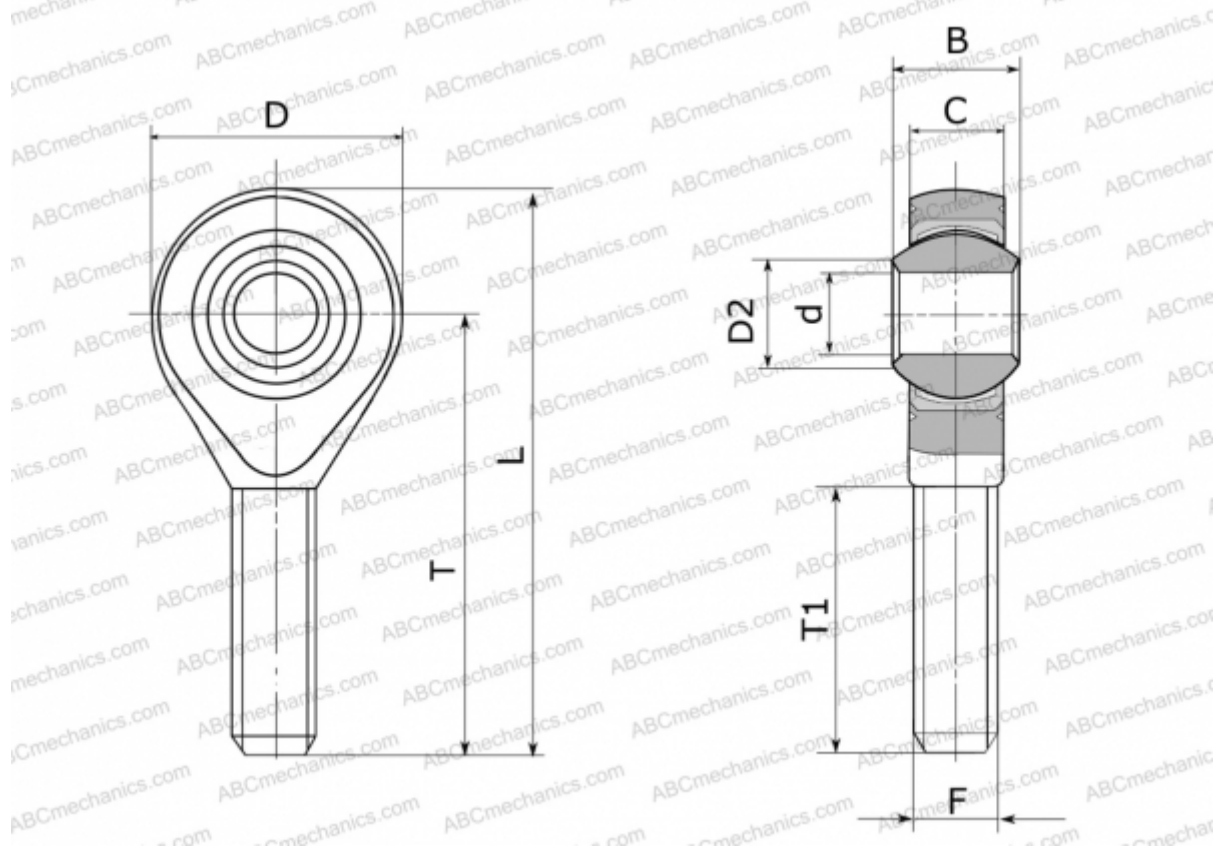


GAKSR 18 PS INA

TYPE: Plain bearings, Spherical plain bearings and rod ends, Rod ends, Maintenance free, With external thread, open design, right hand thread, corrosion-resistant, series GAKSR..-PS (INA)



Technical specification

DIMENSIONS, MM

d	18,000
D	47,000
D2	21,900
B	23,000
L	95,500
T	72,000
T1	41,000
C	16,500
F	M18X1.5

MANUFACTURER

[INA](#)