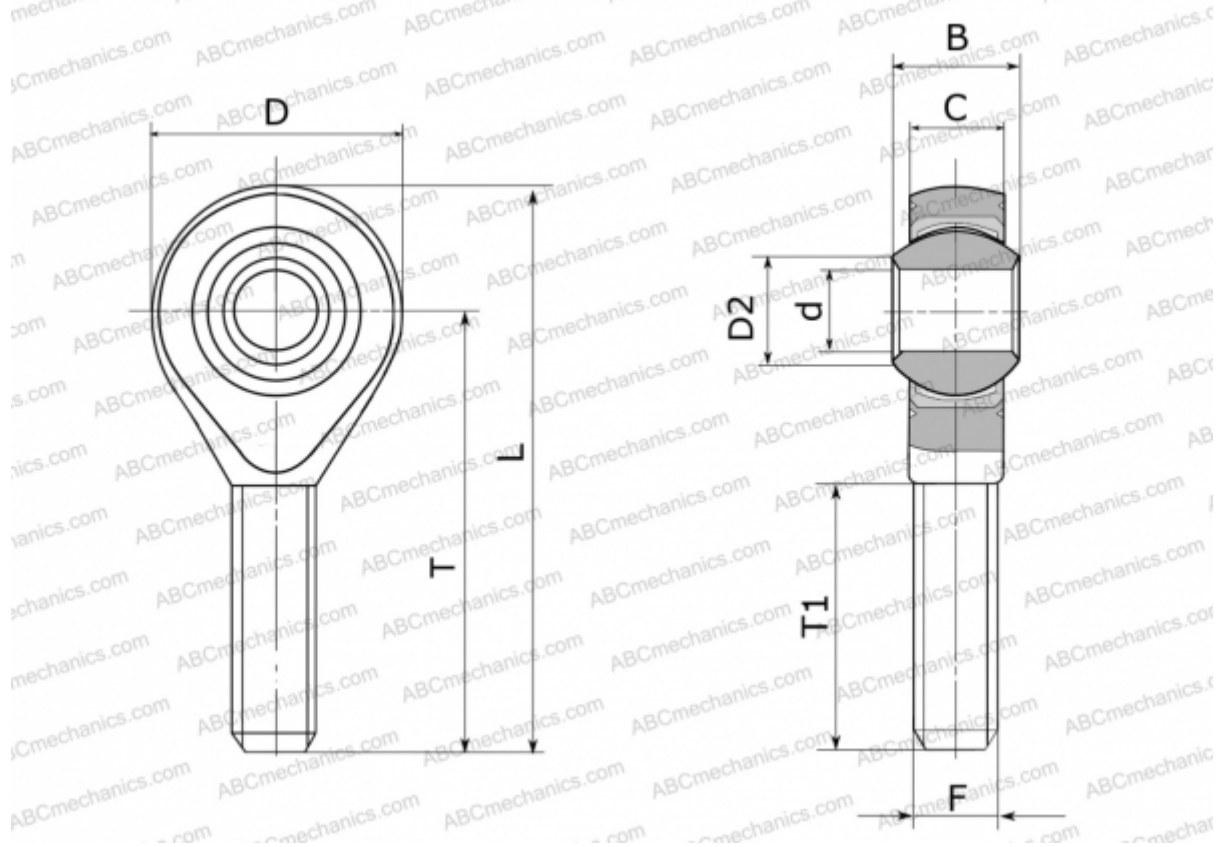


GAKSL 6 PS INA

TYPE: Plain bearings, Spherical plain bearings and rod ends, Rod ends, Maintenance free, With external thread, open design, left hand thread, corrosion-resistant, series GAKSL..-PS (INA)



Technical specification

DIMENSIONS, MM

| | |
|----|--------|
| d | 6,000 |
| D | 21,000 |
| D2 | 9,000 |
| B | 9,000 |
| L | 46,500 |
| T | 36,000 |
| T1 | 21,000 |
| C | 6,750 |
| F | M6 |

MANUFACTURER

[INA](#)