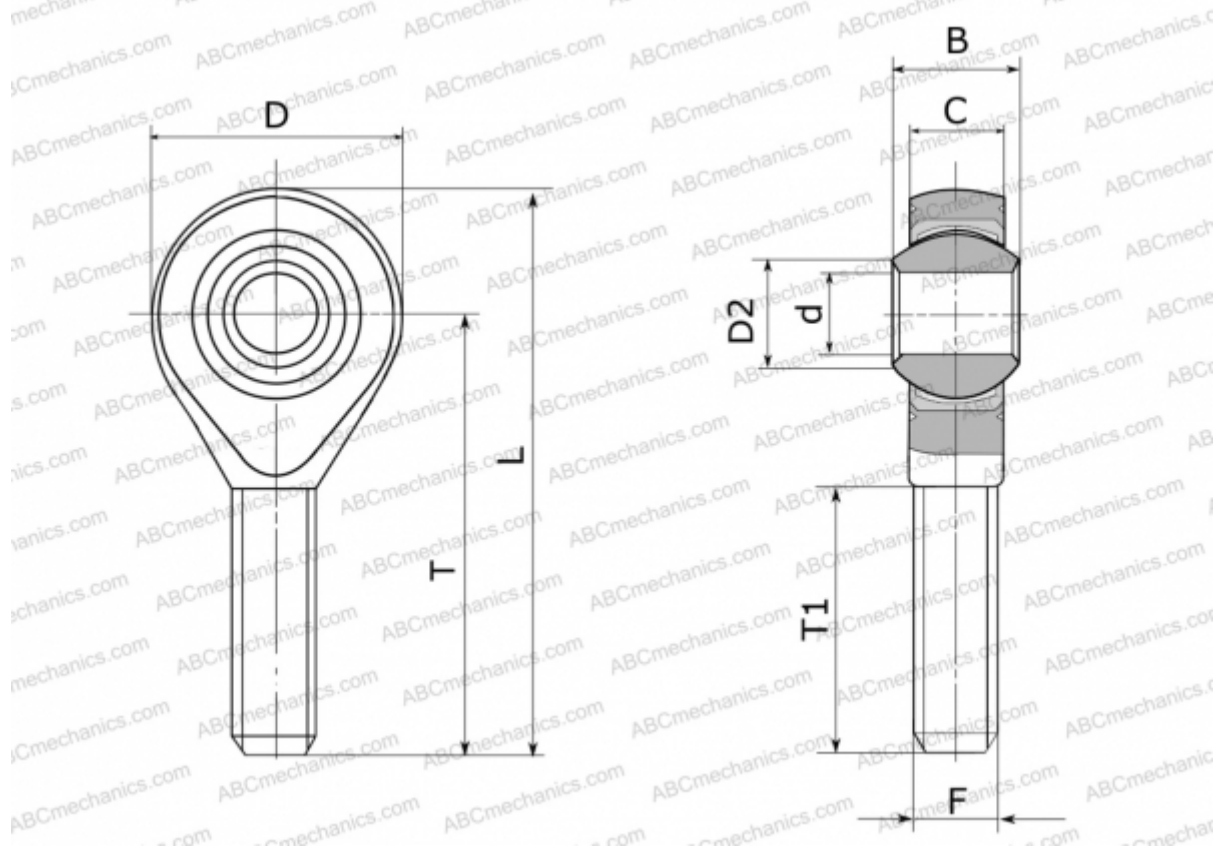


GAKSL 14 PS INA

TYPE: Plain bearings, Spherical plain bearings and rod ends, Rod ends, Maintenance free, With external thread, open design, left hand thread, corrosion-resistant, series GAKSL..-PS (INA)



Technical specification

DIMENSIONS, MM

d	14,000
D	37,000
D2	16,900
B	19,000
L	78,500
T	60,000
T1	36,000
C	13,500
F	M14

MANUFACTURER

[INA](#)