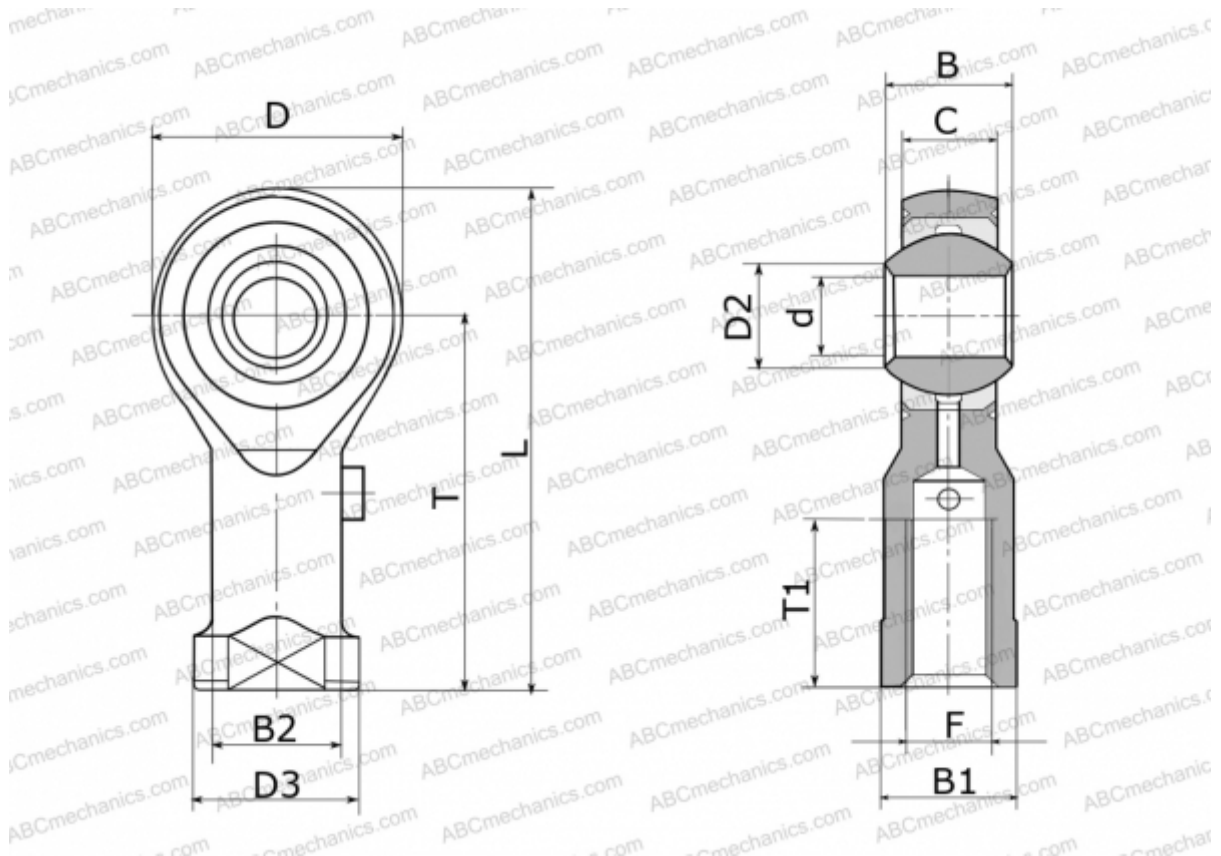


GIKPSR 5 PS INA

TYPE: Plain bearings, Spherical plain bearings and rod ends, Rod ends, Maintenance free, With internal thread, corrosion-resistant, open design, right hand thread, series GIKSR.-PS, GIKPSR.-PS (INA)



Technical specification

DIMENSIONS, MM

d	5,000
D	19,000
D2	7,700
D3	11,000
B	8,000
B1	9,000
B2	9,000
L	36,500
T	27,000
T1	8,000
C	6,000
F	M4

MANUFACTURER

[INA](#)