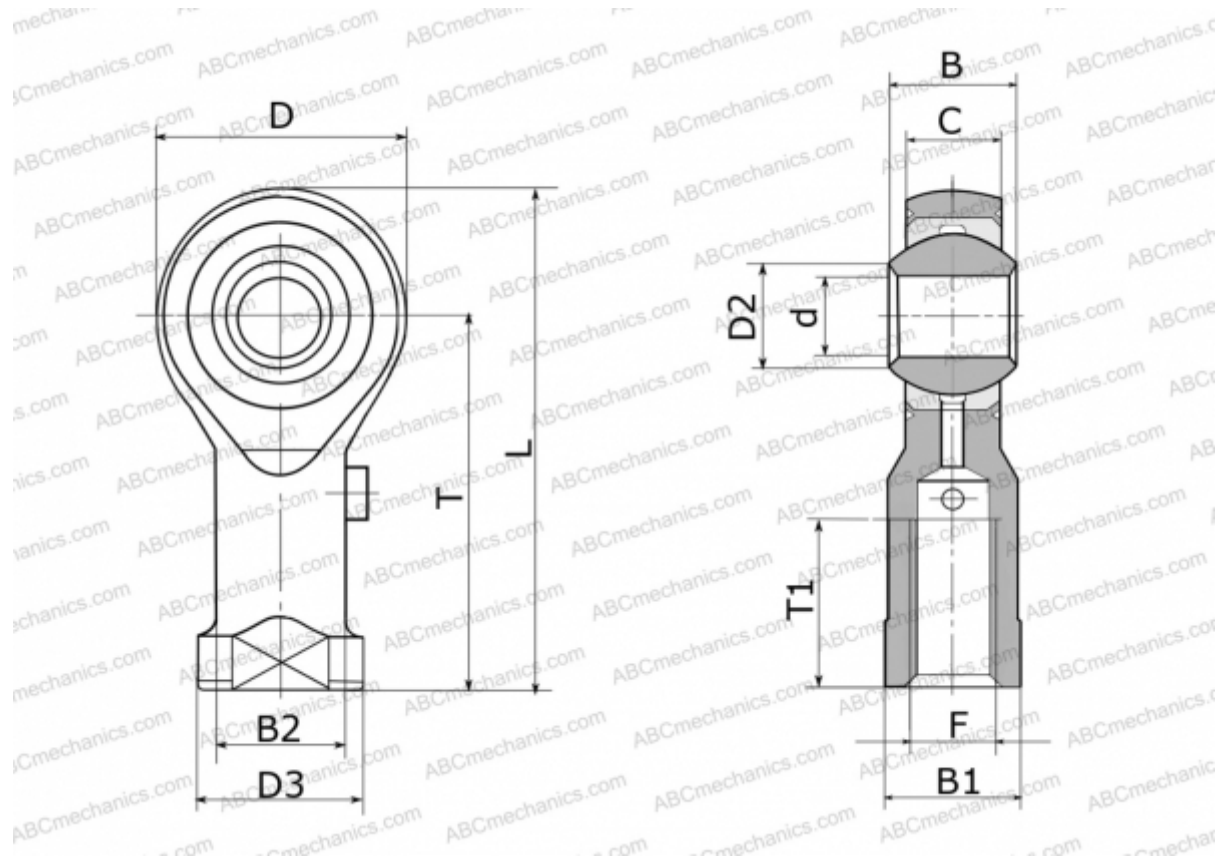


GIKPSR 10 PS INA

TYPE: Plain bearings, Spherical plain bearings and rod ends, Rod ends, Maintenance free, With internal thread, corrosion-resistant, open design, right hand thread, series GIKSR.-PS, GIKPSR.-PS (INA)



Technical specification

DIMENSIONS, MM

d	10,000
D	29,000
D2	12,900
D3	19,000
B	14,000
B1	17,000
B2	15,000
L	57,500
T	43,000
T1	15,000
C	10,500
F	M10X1.25

MANUFACTURER

[INA](#)