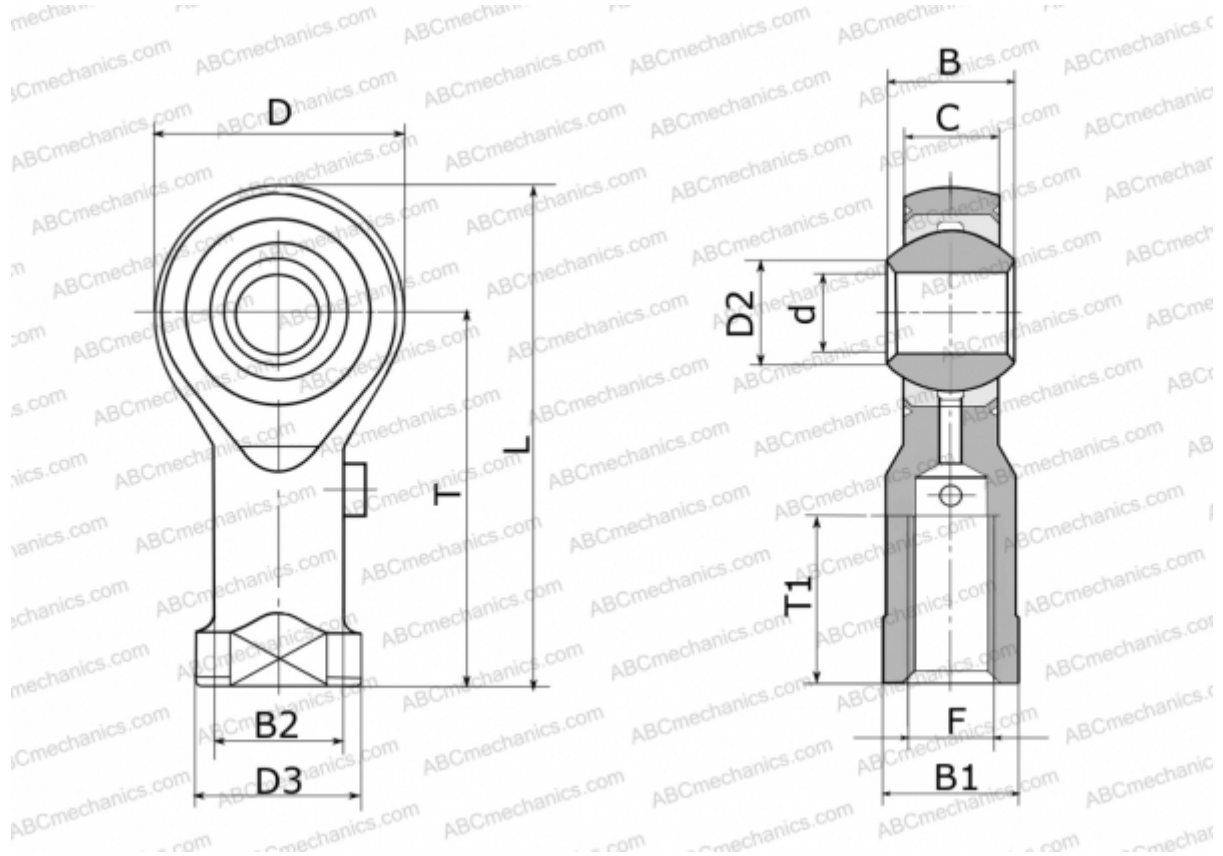


GIKPSL 10 PS INA

TYPE: Plain bearings, Spherical plain bearings and rod ends, Rod ends, Maintenance free, With internal thread, corrosion-resistant, open design, left hand thread, series GIKSL..-PS, GIKPSL..-PS (INA)



Technical specification

DIMENSIONS, MM

| | |
|----|----------|
| d | 10,000 |
| D | 29,000 |
| D2 | 12,900 |
| D3 | 19,000 |
| B | 14,000 |
| B1 | 17,000 |
| B2 | 15,000 |
| L | 57,500 |
| T | 43,000 |
| T1 | 15,000 |
| C | 10,500 |
| F | M10X1.25 |

MANUFACTURER

[INA](#)