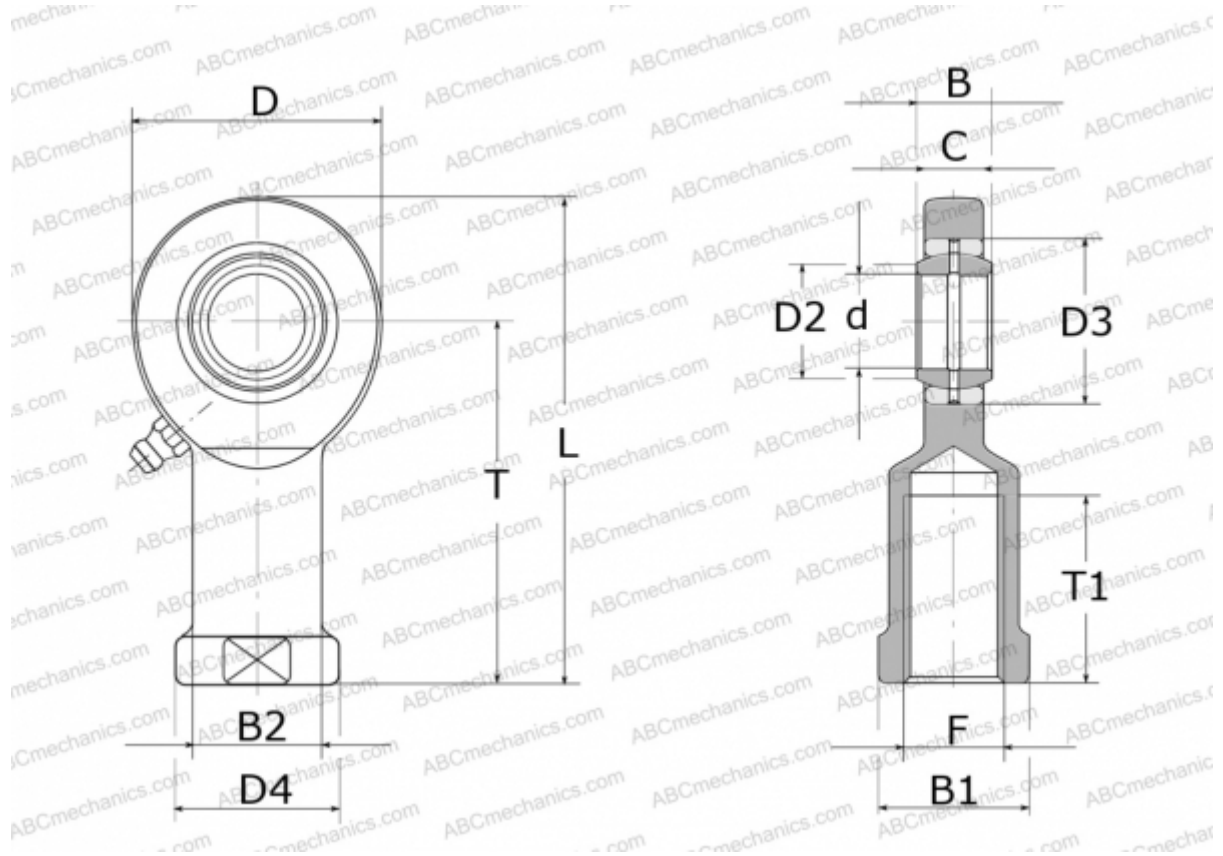


## GIL 15 DO INA

TYPE: Plain bearings, Spherical plain bearings and rod ends, Rod ends, Requiring maintenance, With internal thread, open design, left hand thread, series GIL..-DO (INA)



### Technical specification

#### DIMENSIONS, MM

d	15,000
D	40,000
D2	18,400
D3	26,000
D4	26,000
B	12,000
B1	22,000
B2	21,000
L	81,000
T	61,000
T1	30,000
C	10,000
F	M14

#### MANUFACTURER

[INA](#)