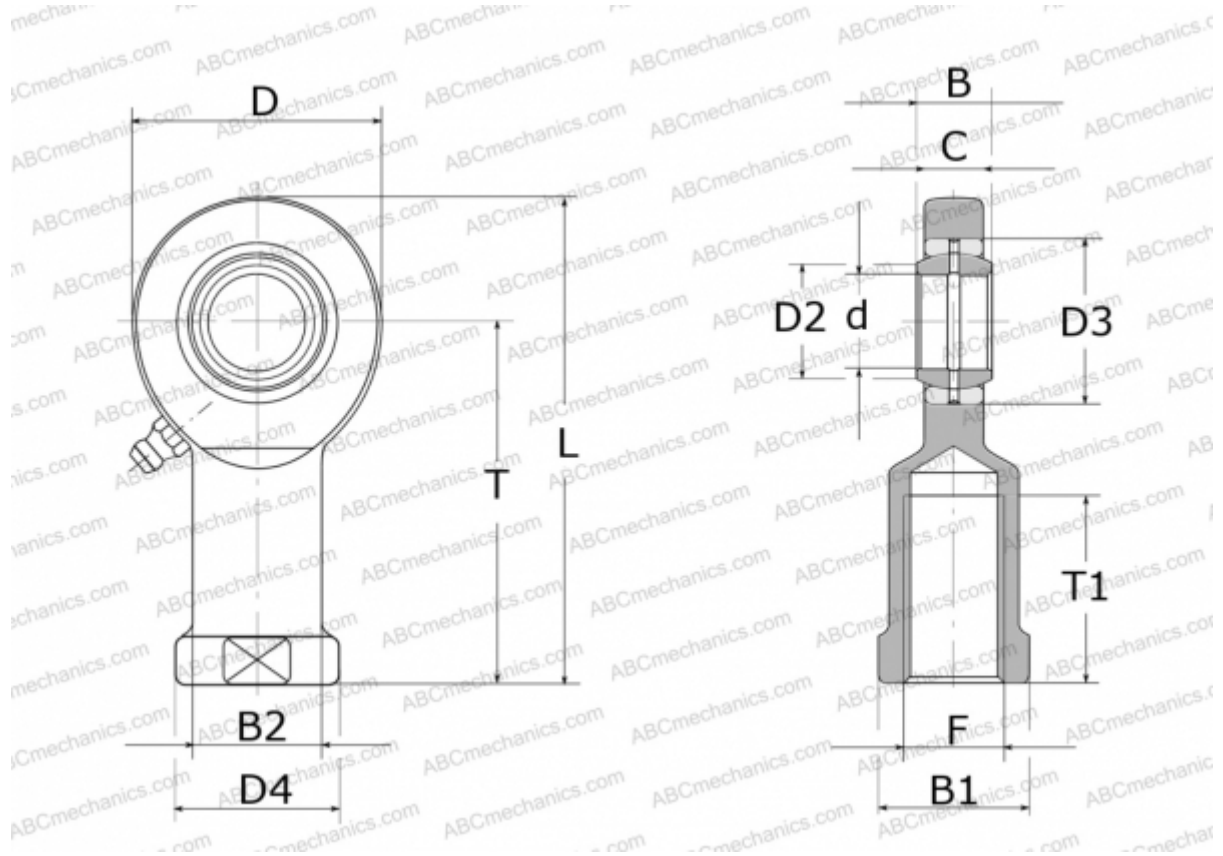


GIL 17 DO INA

TYPE: Plain bearings, Spherical plain bearings and rod ends, Rod ends, Requiring maintenance, With internal thread, open design, left hand thread, series GIL..-DO (INA)



Technical specification

DIMENSIONS, MM

| | |
|----|--------|
| d | 17,000 |
| D | 46,000 |
| D2 | 20,700 |
| D3 | 30,000 |
| D4 | 30,000 |
| B | 14,000 |
| B1 | 27,000 |
| B2 | 24,000 |
| L | 90,000 |
| T | 67,000 |
| T1 | 34,000 |
| C | 11,000 |
| F | M16 |

MANUFACTURER

[INA](#)