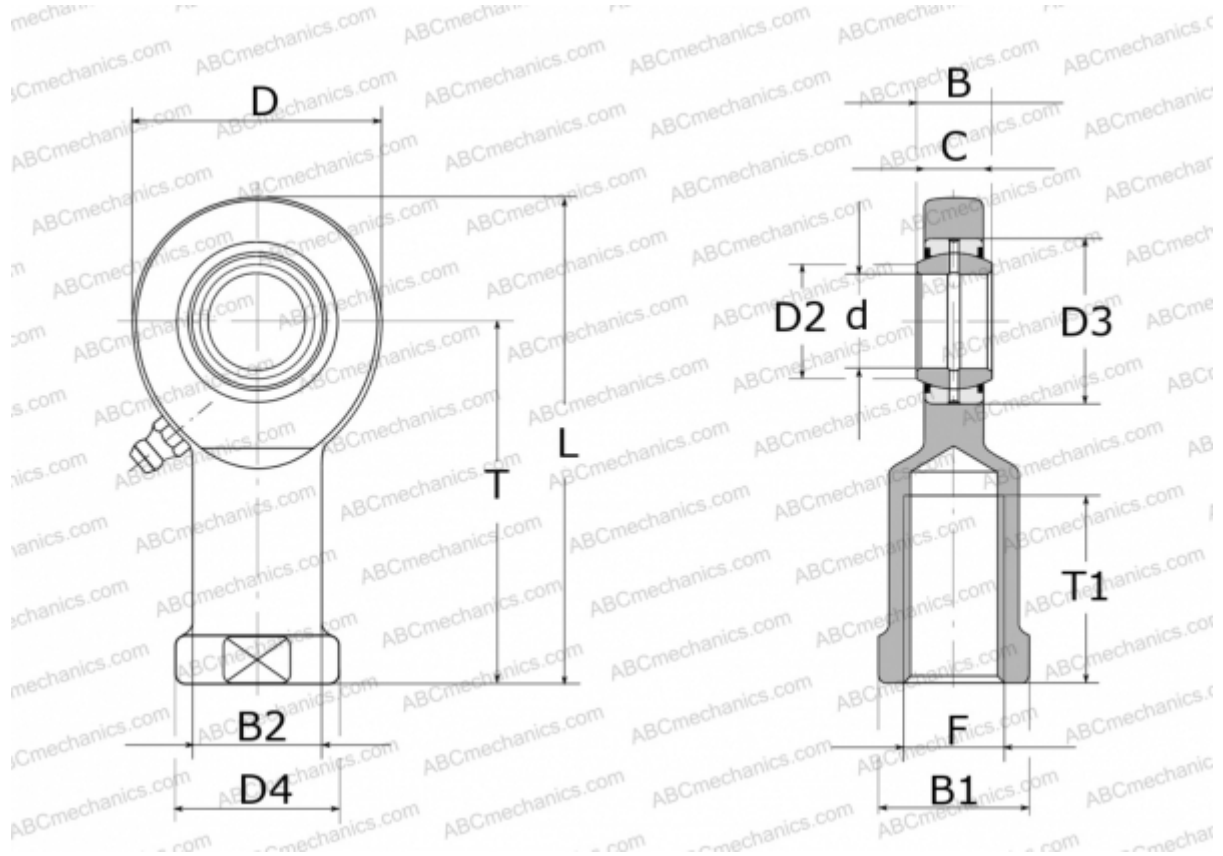


## GIL 17 DO 2RS INA

TYPE: Plain bearings, Spherical plain bearings and rod ends, Rod ends, Requiring maintenance, With internal thread, with lip seals or high performance seals, left hand thread, series GIL..-DO-2RS (INA)



### Technical specification

#### DIMENSIONS, MM

|    |        |
|----|--------|
| d  | 17,000 |
| D  | 46,000 |
| D2 | 20,700 |
| D3 | 30,000 |
| D4 | 30,000 |
| B  | 14,000 |
| B1 | 27,000 |
| B2 | 24,000 |
| L  | 90,000 |
| T  | 67,000 |
| T1 | 34,000 |
| C  | 11,000 |
| F  | M16    |

#### MANUFACTURER

[INA](#)