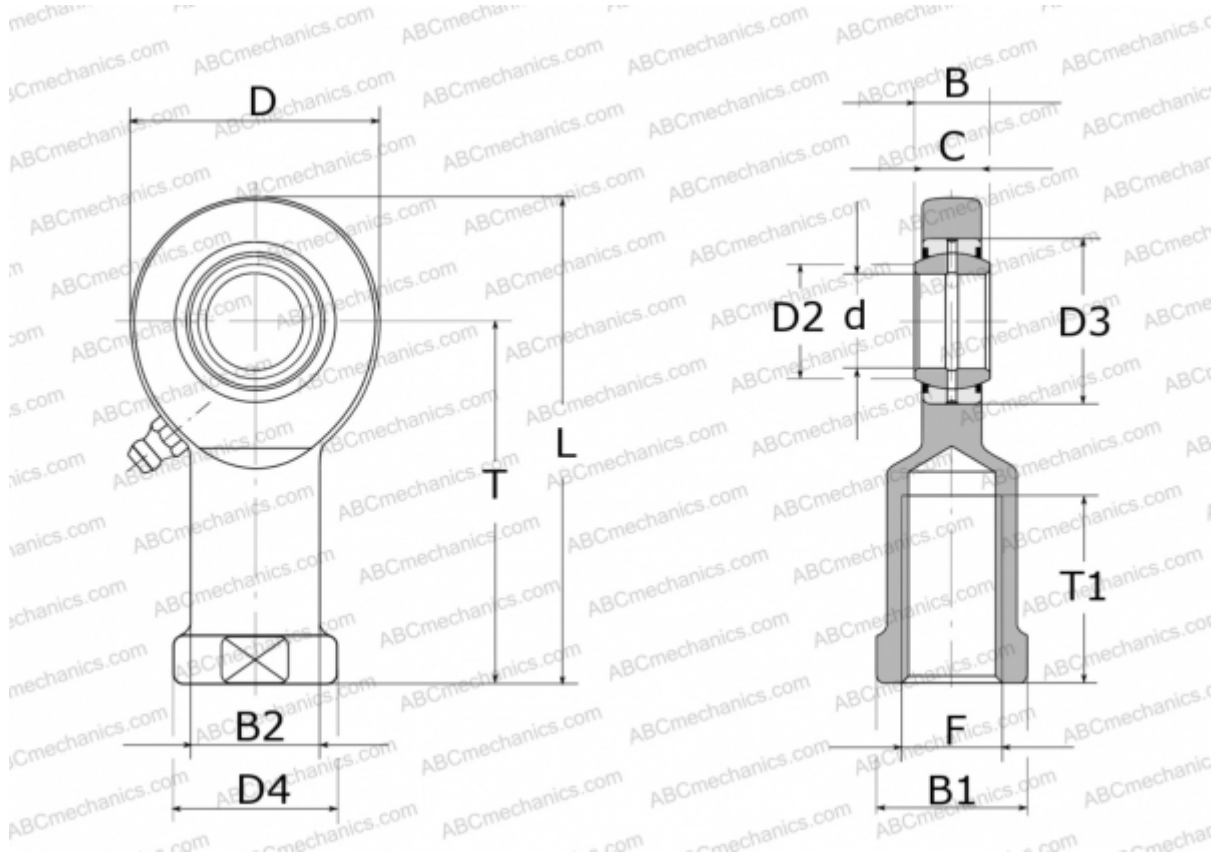


## GIL 50 DO 2RS INA

TYPE: Plain bearings, Spherical plain bearings and rod ends, Rod ends, Requiring maintenance, With internal thread, with lip seals or high performance seals, left hand thread, series GIL..-DO-2RS (INA)



### Technical specification

#### DIMENSIONS, MM

|    |         |
|----|---------|
| d  | 50,000  |
| D  | 112,000 |
| D2 | 56,000  |
| D3 | 75,000  |
| D4 | 75,000  |
| B  | 35,000  |
| B1 | 65,000  |
| B2 | 62,000  |
| L  | 216,000 |
| T  | 160,000 |
| T1 | 68,000  |
| C  | 30,000  |
| F  | M45X3   |

#### MANUFACTURER

[INA](#)